

Installation Instructions

Warning: Do cut off electrical source in order to avoid electrical shock and endanger life-safety before installation.

Model	Power	Input Voltage
NG-PTA-60W	60W	120~277V 50/60Hz
NG-PTA-80W	80W	120~277V 50/60Hz
NG-PTA-100W	100W	120~277V 50/60Hz
NG-PTA-150W	150W	120~277V 50/60Hz

Step 1: Pass the leads of the lights through the stem, then fix the stem with the lamp.

Step 2: Pass the leads of the light through the tenon pole, then using screws to fix it.

Step 3: Electrical connections:

connect the black wire to line

connect the white wire to neutral

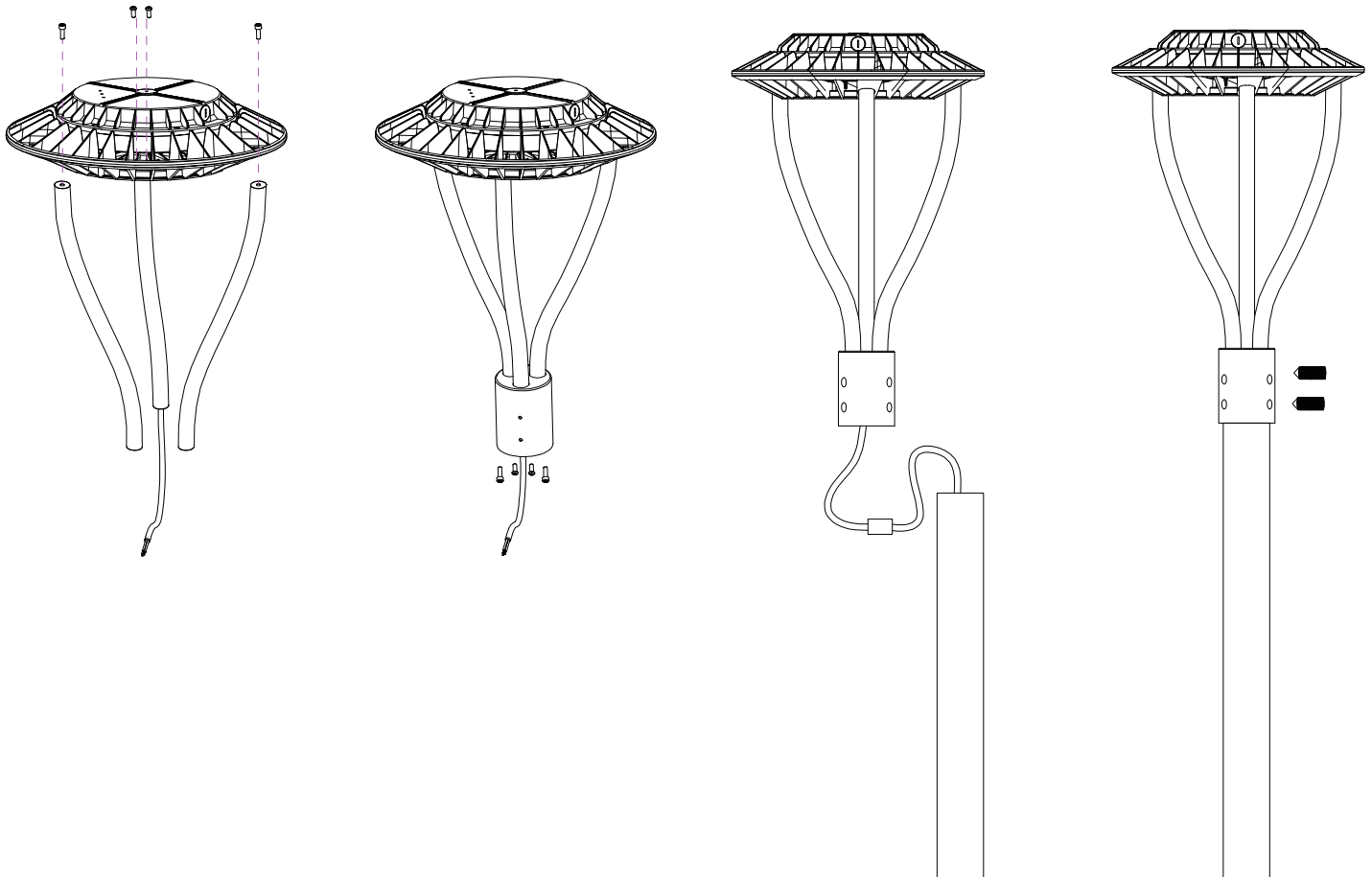
connect the green or green/yellow wire to ground

And good waterproof processing.

LINE	—●—	BLK
NEU	—●—	WHI
GRND	—●—	REN, GRN/YEL

Step 4: On the lamps and lanterns hung up safety rope, and then install the lamp on the mast.

※Install height from floor higher than 1.2m.

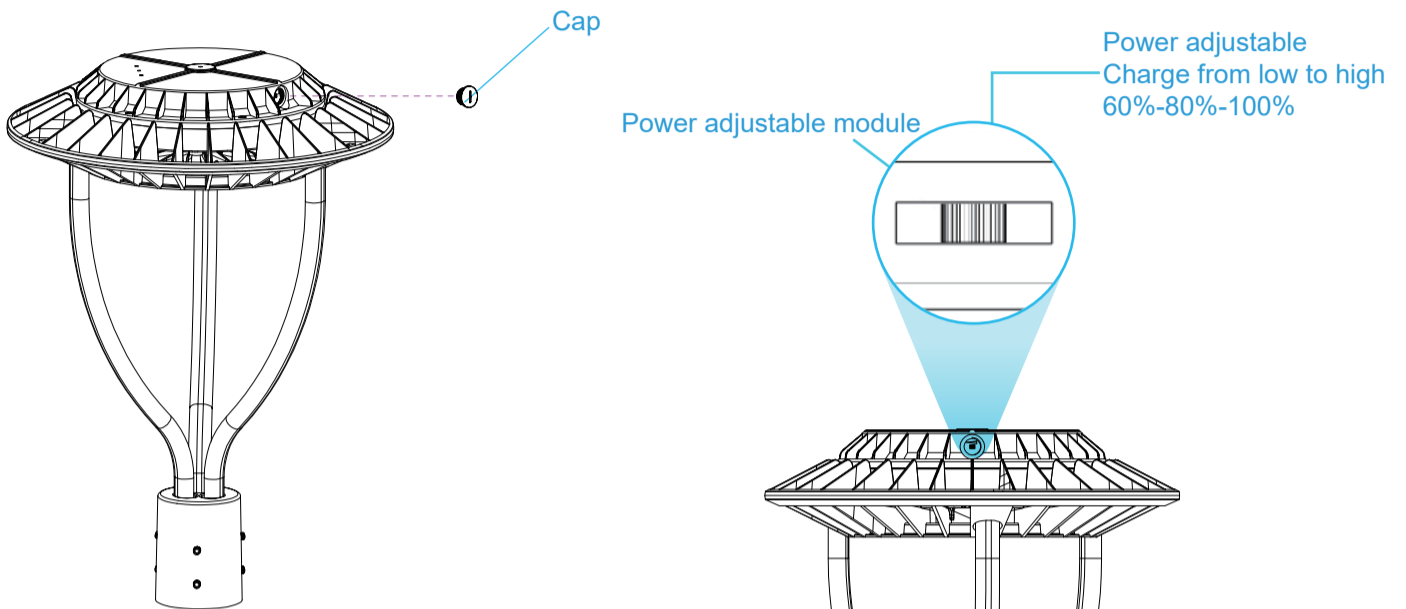


How to adjust the power of the light

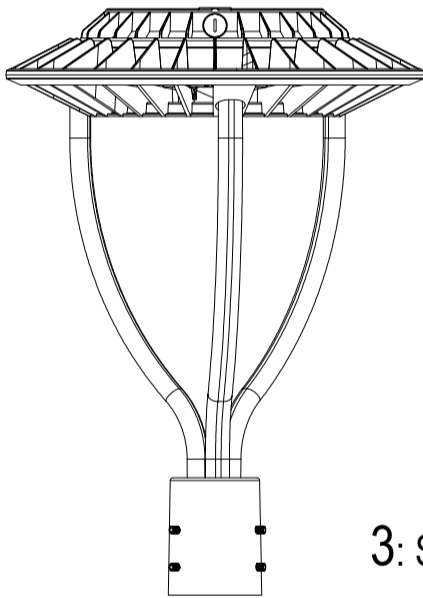
Warm Notice:

1: Please turn off the light before adjusting power

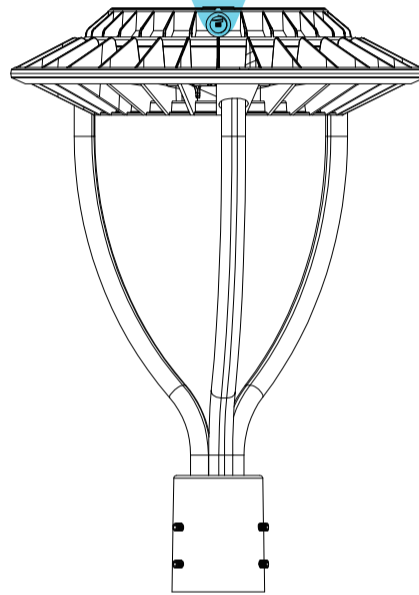
2: Only turn on the light after you finished the power selection.



1: Unscrew the cap of slotted screw



2: Select proper power



3: Screw the cap after power selection

