

LED FLOOD LIGHT

- HIGH QUALITY LIGHTING
- EASY INSTALLATION
- SAFE AND ENVIRONMENTALLY FRIENDLY
- WATERPROOF AND DURABLE
- SAVING ENERGY

Features

- 50W~400W for choice.
- IP65 Dust free and waterproof
- ETL,cETL, approved
- Aluminum fin heat sink light in weight
- Tempered glass safety to install
- Adjustable bracket change concentrate lighting area
- 120 degree Beam Angle adjustable angle 180 degree.
- 6K High voltage Surge test approved.
- SMD3030 150Lm/W LED chips.
- 100~277V input voltage
- 50,000hrs lifespan
- Ambient operating temperature -40°C to 45° C
- Replace 150~2000W metal halide/HPS
- External No magnetic disturbance driver design
- Application in parking lot,street,Garden,yard etc..

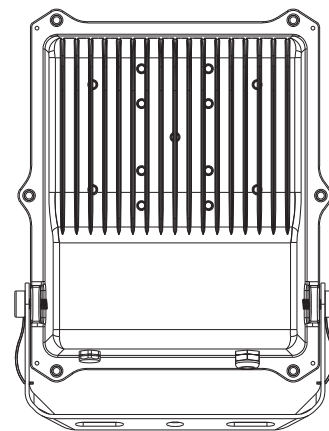
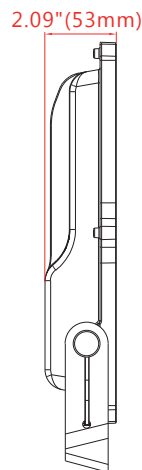
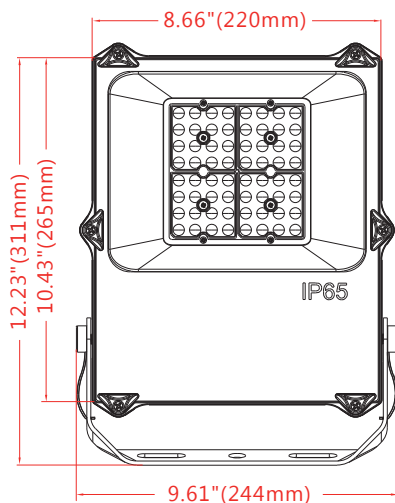


Application

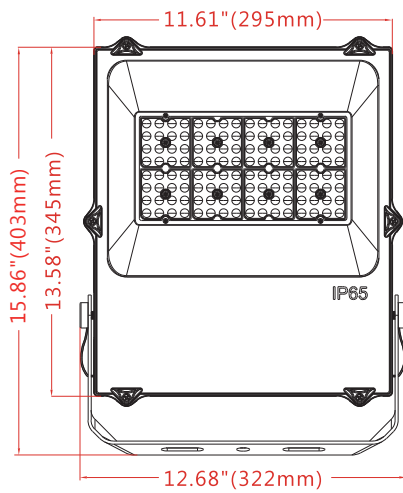
LED Deformable lamp series can be widely used in garage, warehouses, factories and workshops etc.



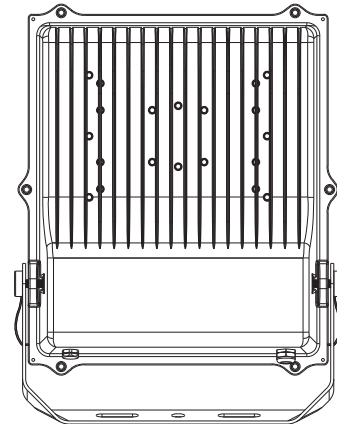
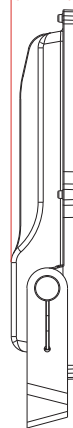
Series	Lumens	Base	Beam Angle (Degree)	Electrical Data	LED Type	Color temperature	Color rendering index
NG-FL-50W	7500 Lm	3 pin wires	90 degree or 120 degree	Input Voltage 100-277V 50~60Hz Power Factor(%) >90	64PCS SMD 3030 Chips	WW 3000K NW 4000K DW 5000K CW 5700K	70 70 CRI 80 80 CRI 90 80 CRI
NG-FL-100W	15000 Lm	3 pin wires	90 degree or 120 degree	Input Voltage 100-277V 50~60Hz Power Factor(%) >90	128PCS SMD 3030 Chips	WW 3000K NW 4000K DW 5000K CW 5700K	70 70 CRI 80 80 CRI 90 80 CRI
NG-FL-150W	22500 Lm	3 pin wires	90 degree or 120 degree	Input Voltage 100-277V 50~60Hz Power Factor(%) >90	192PCS SMD 3030 Chips	WW 3000K NW 4000K DW 5000K CW 5700K	70 70 CRI 80 80 CRI 90 80 CRI
NG-FL-200W	30000 Lm	3 pin wires	90 degree or 120 degree	Input Voltage 100-277V 50~60Hz Power Factor(%) >90	240PCS SMD 3030 Chips	WW 3000K NW 4000K DW 5000K CW 5700K	70 70 CRI 80 80 CRI 90 80 CRI
NG-FL-240W	36000 Lm	3 pin wires	90 degree or 120 degree	Input Voltage 100-277V 50~60Hz Power Factor(%) >90	320PCS SMD 3030 Chips	WW 3000K NW 4000K DW 5000K CW 5700K	70 70 CRI 80 80 CRI 90 80 CRI
NG-FL-300W	45000 Lm	3 pin wires	90 degree or 120 degree	Input Voltage 100-277V 50~60Hz Power Factor(%) >90	384PCS SMD 3030 Chips	WW 3000K NW 4000K DW 5000K CW 5700K	70 70 CRI 80 80 CRI 90 80 CRI
NG-FL-400W	60000 Lm	3 pin wires	90 degree or 120 degree	Input Voltage 100-277V 50~60Hz Power Factor(%) >90	504PCS SMD 3030 Chips	WW 3000K NW 4000K DW 5000K CW 5700K	70 70 CRI 80 80 CRI 90 80 CRI



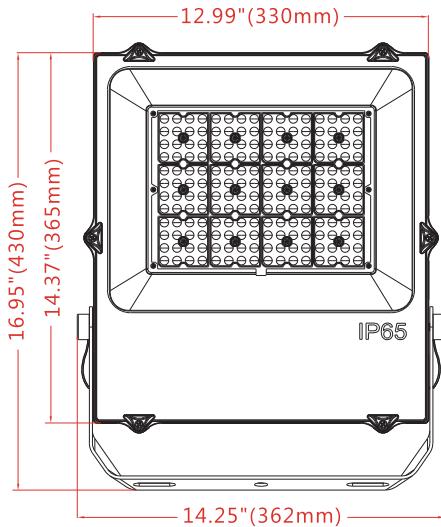
50W



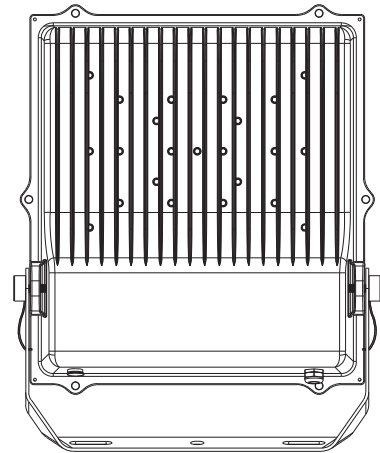
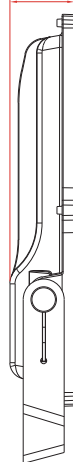
2.48" (63mm)



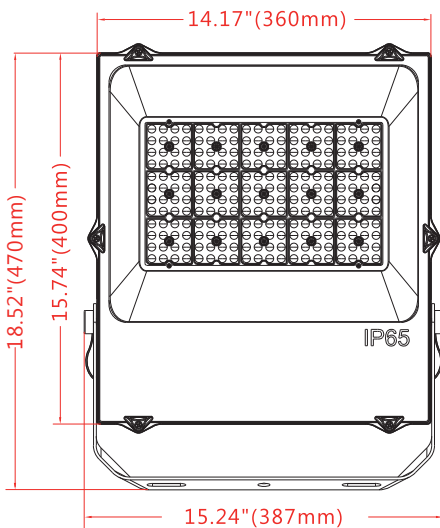
100W



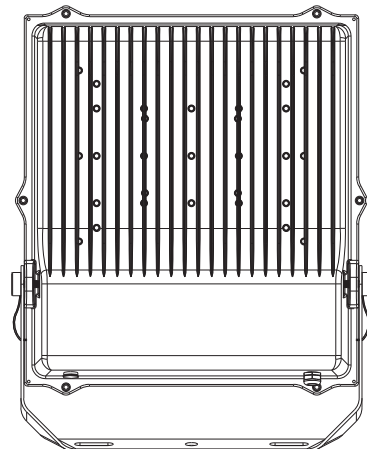
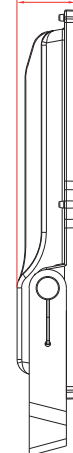
2.48" (63mm)



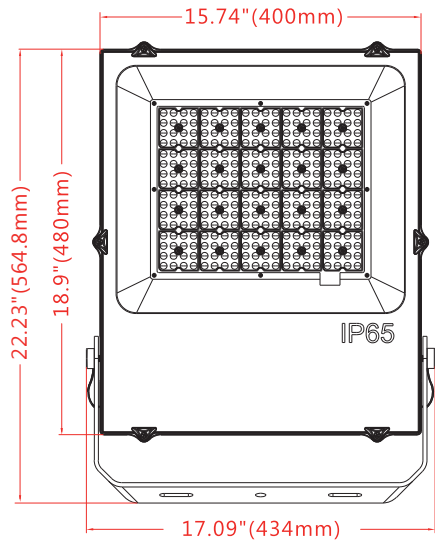
150W



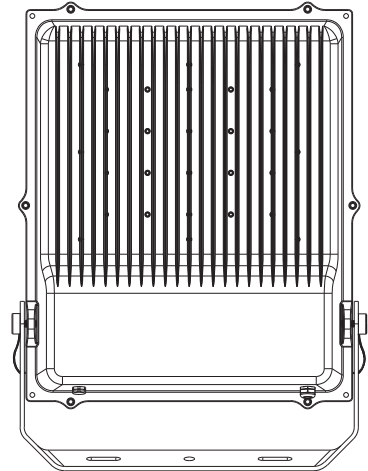
2.48" (63mm)



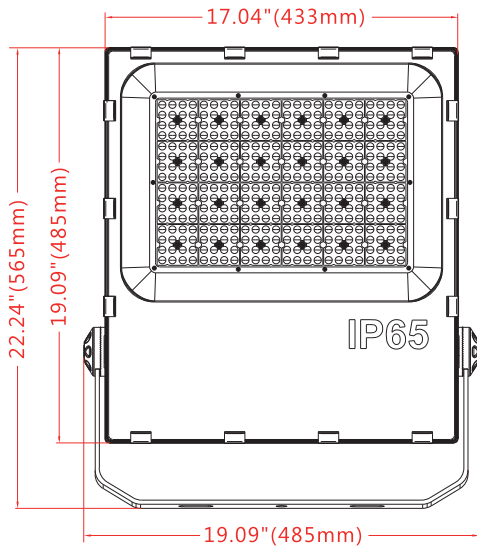
200W



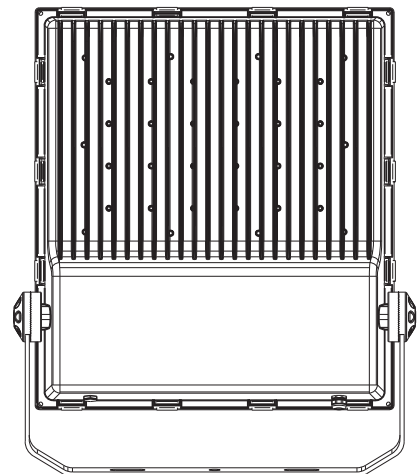
2.56" (65mm)



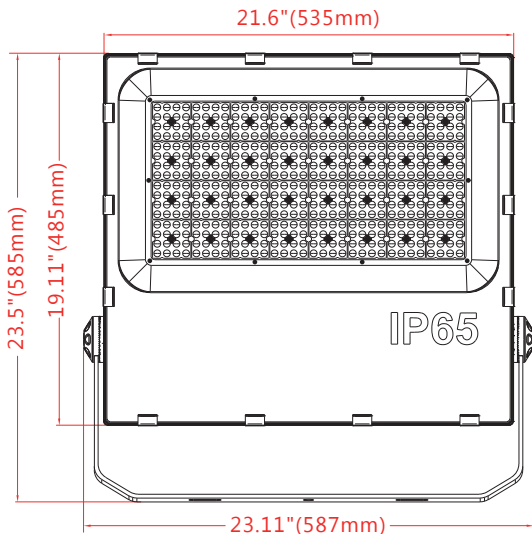
240W



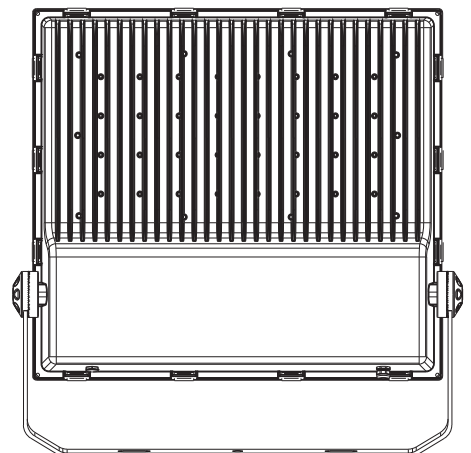
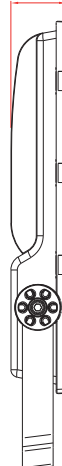
2.56" (65mm)



300W

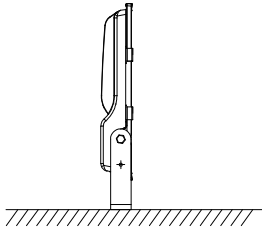


2.76" (70mm)

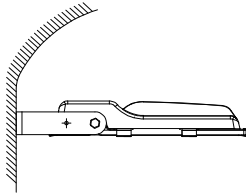


400W

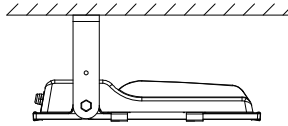
1 Choose the installation



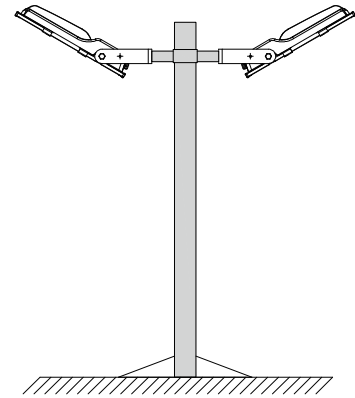
A: Ground installation.



B: Wall installation



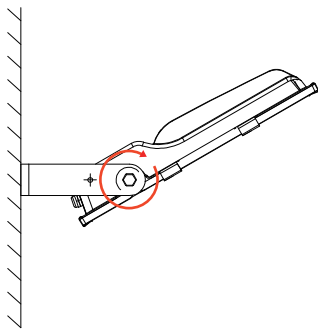
C: Ceiling installation



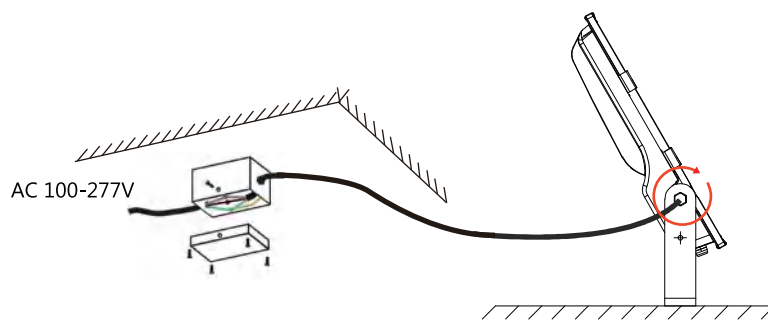
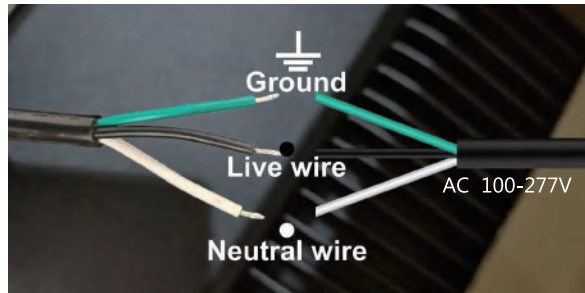
D: Pole installation

2 1. Install the lamp into where you need.

2. Use some expansion Nails to fix the bracket of the lamp.



3. Connect the power cord as following diagram then make waterproof protection.



4. Adjust light fixture to the angle as you want, and then fix it.

6. Finally, fix the junction box cover with screws.

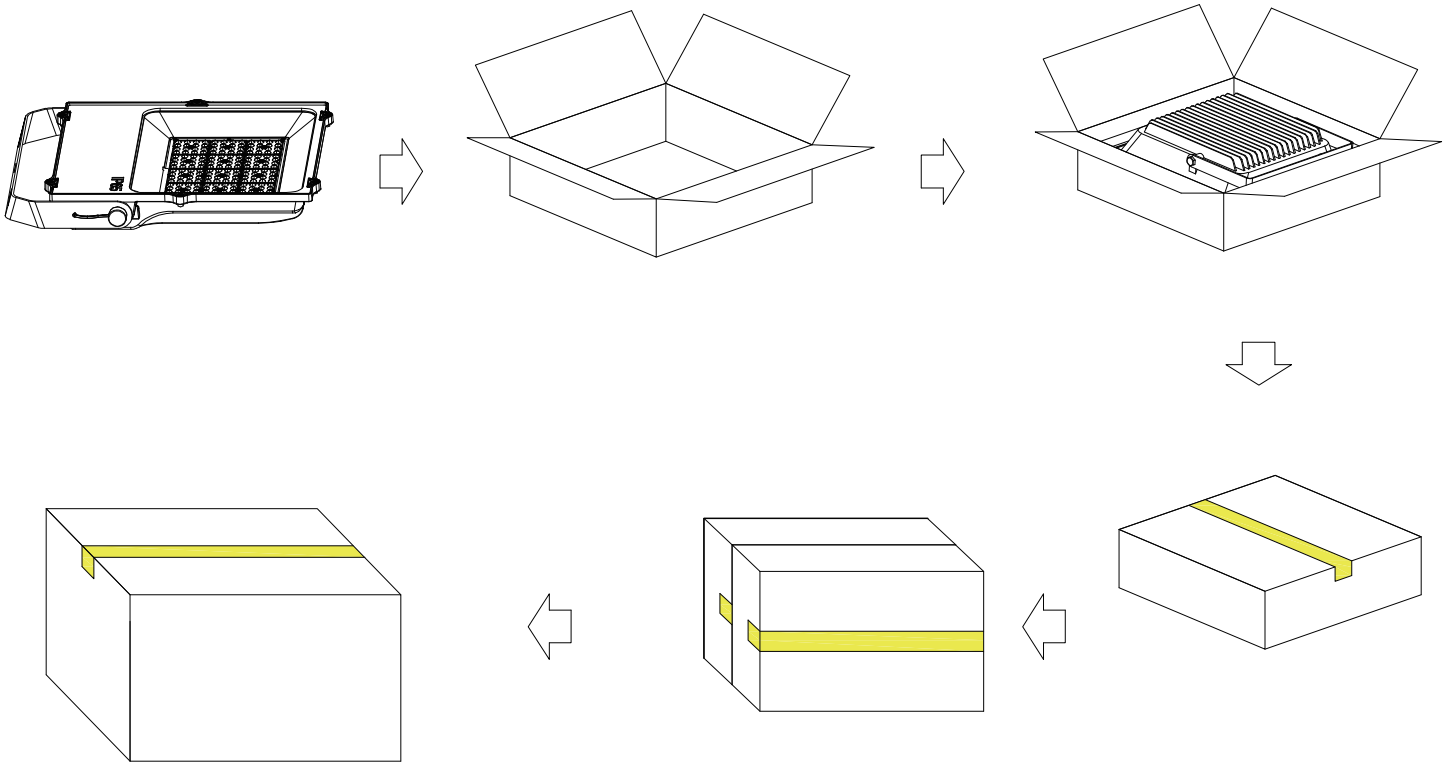
5. When you use junctionbox and strain relief, please make sure to follow the installation requirements as below:

Material: Zinc-iron Turn off power supply.

The diameter of the hole for power cord do not more than 10mm

Put the power cord in the junction box, and make a knot in the cord as strain relief.

Connect the wire in the junction box by close-end connector as following diagram, Please note that the the green/yellow wire should be connected to the ground.



Power	Unit	Size	Gross weight	Volume
50W	8PCS	510x375x275mm/ 20.08"*14.76"*10.82"	18.0 kg/ 39.68 lbs	0.053m ³
100W	3PCS	505x460x420mm/ 19.88"*18.11"*16.53"	18.0 kg/ 39.68 lbs	0.098m ³
150W	2PCS	530x300x460mm/ 20.86"*11.81"*18.11"	14.3 kg/ 31.53 lbs	0.073m ³
200W	2PCS	570x310x490mm/ 22.44"*12.20"*19.29"	16 kg/ 35.27 lbs	0.087m ³
240W	2PCS	645x285x490mm/ 25.39"*11.22"*19.29"	16 kg/ 35.27 lbs	0.090m ³
300W	2PCS	625x300x525mm/ 24.61"*11.81"*20.67"	21.5 kg/ 47.40 lbs	0.098m ³
400W	1PC	655x320x640mm/ 25.79"*12.60"*25.19"	13.5 kg/ 29.76 lbs	0.134m ³