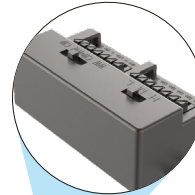


## KEY FEATURES

- \* Available in 60~150W power range
- \* High output of 150LM/W using SMD3030 chips
- \* Conduit entrances on the back, side, and bottom
- \* UL, cUL, ETL, cETL, CE, and DLC approved
- \* Easy installation and maintenance
- \* Universal input voltage (100-277V)
- \* Built-in power supply modules
- \* IP65 waterproof, applicable for wet locations
- \* Efficient heat dissipation
- \* Top-quality with a 5-year warranty
- \* No magnetic disturbance driver design
- \* High-efficiency with 50%+ energy savings
- \* Durable quality with solid aluminum construction
- \* Glass cover that does not turn yellow after years of use
- \* Built-in dusk to dawn photocell sensor
- \* Adjustable wattages: 60%/ 80%/ 100%
- \* Adjustable CCT: 3000K/ 4000K/ 5000K



CCT & Power Selection Switch

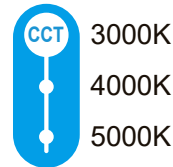


60W/80W/100W/120W

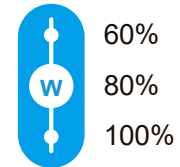


150W

### CCT Adjustable



### Power Adjustable



## APPLICATIONS

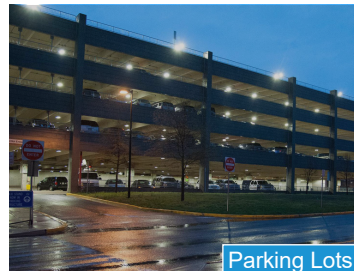
LED Wall Pack series can be widely used in hospitals, museums, gas stations, alleys, pathways, parking lots, hospitals, college campuses, barns, sheds, wearhouse, corridor, parking garages, etc.



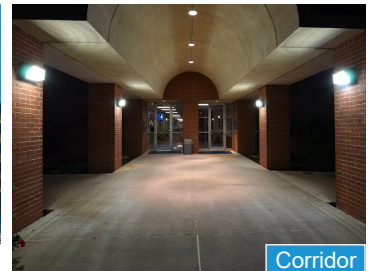
Warehouse



Doorway



Parking Lots



Corridor

60W/ 80W

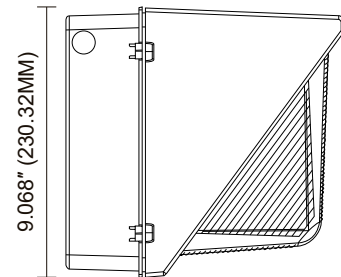
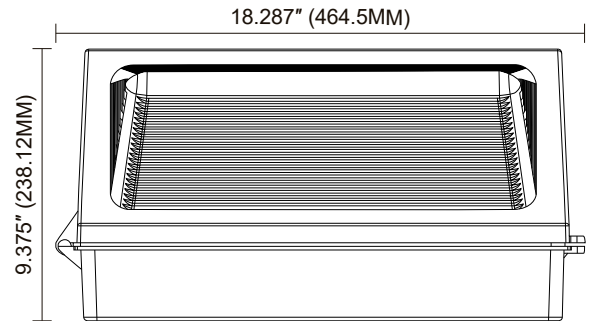
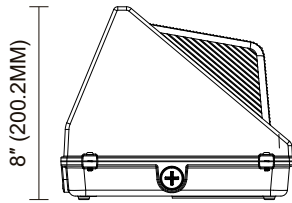
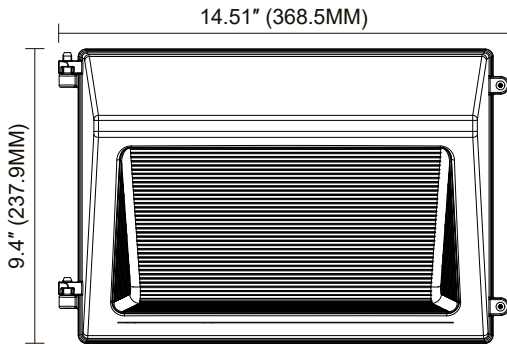
Weight:4020g/ 8.86 lbs

100W/ 120W

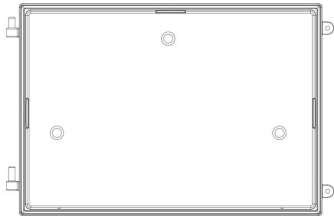
Weight:4310g/ 9.50 lbs

150W

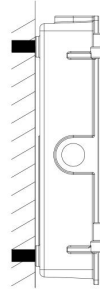
Weight:6800g/ 14.99 lbs



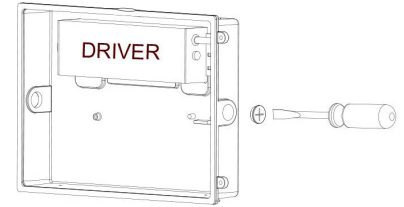
Model	Lumen (±10%lm)	LED/ Qty.	Power (±10%)	Efficacy (±10%)	Beam Angle	Voltage/ Frequency	Working Temperature	CRI	PF	CCT & Power (Fixed/ Adjustable)
NG-WP-60W	9000	SMD3030- 100pcs (Fixed) 200pcs (Adjustable)	60W	150LM/W	120°	AC100-277V 50/60Hz	-40°C~40°C (-40°F~104°F)	≥80	>0.9	Fixed CCT & Power 2700K-6500K or Adjustable CCT & Power 3000K/ 4000K (mix) / 5000K 100%/ 80%/ 60%
NG-WP-80W	12000		80W							
NG-WP-100W	15000	100W								
NG-WP-120W	18000	120W								
NG-WP-150W	22500	SMD3030 - 200pcs	150W				-30°C~40°C (-22°F~104°F)	>70, 80	>0.95	



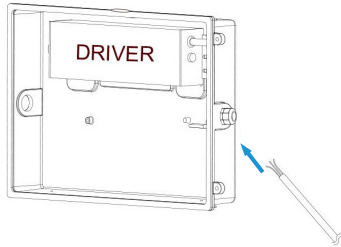
① Remove the base of the wall pack.



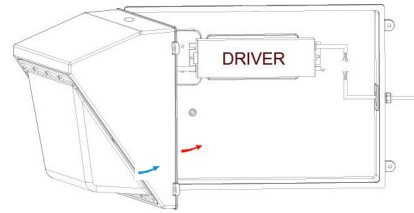
② Attach the base securely to the wall.



③ Use a screwdriver to unthread the screws.



④ Install the waterproof connector first, then pass the AC cord through the connector.



⑤ Place the cover back onto the base. Connect the waterproof connectors together. Tighten the cover and secure it with screws.

## How to adjust the power and color temperature of the light:

### \* Attention:

1. Please ensure that the light is turned off before adjusting the CCT or wattage.
2. Please turn on the light only after you have completed your selection.

### CCT Selections:

There are 3 color temperatures available (WW CW/WW CW).

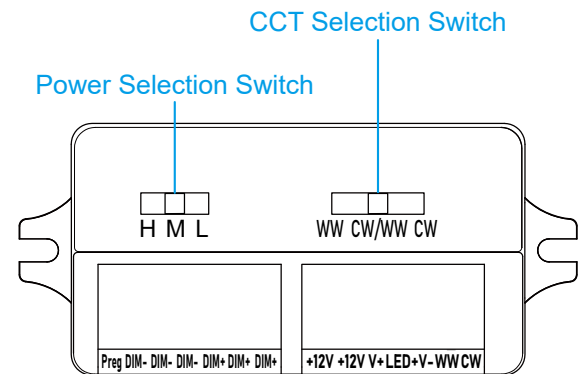
Please select your preferred color temperature before installation.

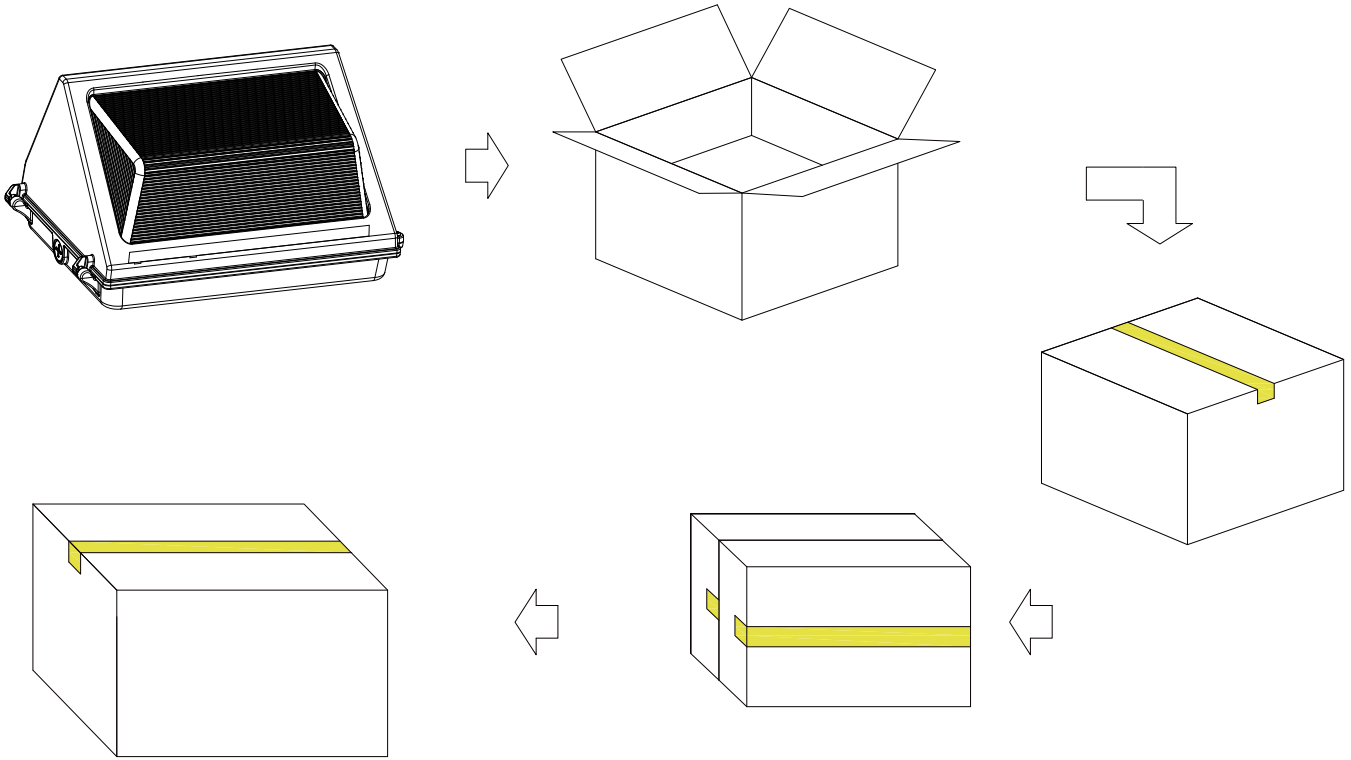
WW	CW/WW	CW
3000K	4000K	5000K

### Power Selections:

Move the power selection switch from left to right to decrease the power accordingly.

H	M	L
100%	80%	60%





Power	Unit	Size	Gross Weight	Volume
NG-WP-60W	1 PC	375mmx285mmx230mm/ 14.76**11.22**9.06"	4.02 KG/ 8.86 lbs	0.025m <sup>3</sup>
NG-WP-80W	4 PCS	605mmx395mmx500mm/ 23.82**15.55**19.69"	17.3 KG/ 38.14 lbs	0.119m <sup>3</sup>
NG-WP-100W	1 PC	375mmx285mmx230mm/ 14.76**11.22**9.06"	4.31 KG/ 9.50 lbs	0.025m <sup>3</sup>
NG-WP-120W	4 PCS	605mmx395mmx500mm/ 23.82**15.55**19.69"	18.32 KG/ 40.39 lbs	0.119m <sup>3</sup>
NG-WP-150W	1 PC	490mmx280mmx280mm/ 19.29**11.02**11.02"	7.5 KG/ 16.53 lbs	0.038m <sup>3</sup>
	2 PCS	590mmx510mmx305mm/ 23.23**20.08**12.01"	15 KG/ 33.07 lbs	0.092m <sup>3</sup>