

Product Descriptions

INTENDED Purchase - The LED Corn bulbs is light for replace traditional 360 degree lights such as metal halide,CFL,HID, HPS for parking lot,gas station,warehouse indoor and outdoor energy saving purpose.Design install into existing fixture with cost-effective solution.

STRUCTURE -Fin heatsink sunon fan active cooling solution,PC cover protect LEDs from dust,insect and humidity working environment.Driver fully sealed by thermal paste with function to disperse heat into outside Adopt 150LM/W LED chips improve light efficiency.

OPTICS - Milky and Transparent PC cover for choice range from 30W~ 300W with E26,E27, E39,E40 socket for choice in different application sealed or open fixture.

ELECTRICAL - Standard 6kV surge protection,regular input voltage 100~ 277V,no ballast need.

INSTALLATION - Easily fitted in traditional fixture instead of MHL and HPS.

LISTINGS - CE,UL,cUL, ETL certification approved.
Suitable for sealed,dry,humidity working environment from -40°C up to 45°C.

WARRANTY - 5 years warranty.
Replaceable driver part design.Free provide materials replacement easy for customer replace.
We will responsible if damaged or quality problem.
like damaged under shipment. Screws loosen.Driver problem.

NOTICE:

160W~300W LED Corn bulbs not allowed install in enclosed fixture due to overheat.
Only suitable for indoor open fixture.

Features

- E39 E40 Mogul screw base
- CE, UL, CUL, ETL approved
- 100~277V, 480V, 347V high voltage input
- Sunon Fan active cooling
- 360° Degree Beam Angle
- Aluminum fin heat sink
- PC Cover milky&clear
- 6K High voltage surge test approved
- SMD2835 150lm/w led chips
- 50,000hrs lifespan
- Top Brand Rubycon Capacitor
- OEM special design company logo
- No UV or IR radiation
- No magnetic disturbance driver design
- Replace 100~1000W metal halide/HPS
- Application in warehouse, parking lot, street, gas station etc..



30W 60W



80W 100W 120W



160W 200W 250W 300W

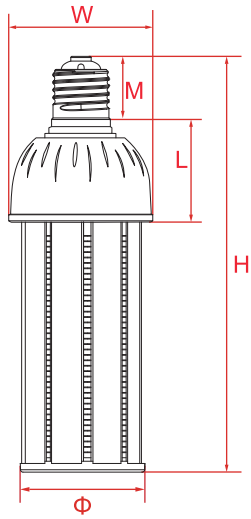


LED CORN LIGHT

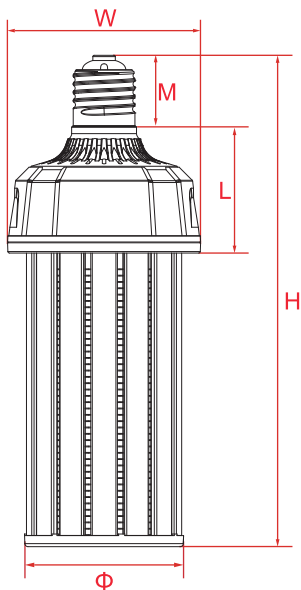
Series	Lumens	Base	Beam Angle (Degree)	Electrical Data	LED Type	Color Temperature	Color Rendering Index	Ambient Temperature	Material
NGWL-30W12S	4500Lm	E26 E27 E39 E40	360 degree Beam Angle	Input Voltage AC100-277V 50~60Hz Power Factor(%) >90	220PCS SMD 2835 Chips	WW 2800~3200 K NW 4000~4500 K DW 5000~5500 K CW 6000~6500 K	Ra>80	-40~45 C	PBT+Aluminum
NGWL-60W12S	9000Lm	E26 E27 E39 E40	360 degree Beam Angle	Input Voltage AC100-277V 50~60Hz Power Factor(%) >90	490PCS SMD 2835 Chips	WW 2800~3200 K NW 4000~4500 K DW 5000~5500 K CW 6000~6500 K	Ra>80	-40~45 C	PBT+Aluminum
NG-WL-80W14S	12000Lm	E39 E40	360 degree Beam Angle	Input Voltage AC100-277V 50~60Hz Power Factor(%) >90	610PCS SMD 2835 Chips	WW 2800~3200 K NW 4000~4500 K DW 5000~5500 K CW 6000~6500 K	Ra>80	-40~45 C	PBT+Aluminum
NG-WL-100W14S	15000Lm	E39 E40	360 degree Beam Angle	Input Voltage AC100-277V 50~60Hz Power Factor(%) >90	644PCS SMD 2835 Chips	WW 2800~3200 K NW 4000~4500 K DW 5000~5500 K CW 6000~6500 K	Ra>80	-40~45 C	PBT+Aluminum
NG-WL-120W14S	18000Lm	E39 E40	360 degree Beam Angle	Input Voltage AC100-277V 50~60Hz Power Factor(%) >90	840PCS SMD 2835 Chips	WW 2800~3200 K NW 4000~4500 K DW 5000~5500 K CW 6000~6500 K	Ra>80	-40~45 C	PBT+Aluminum
NG-WL-160W16S	24000Lm	E39 E40	360 degree Beam Angle	Input Voltage AC100-277V 50~60Hz Power Factor(%) >90	1232PCS SMD 2835 Chips	WW 2800~3200 K NW 4000~4500 K DW 5000~5500 K CW 6000~6500 K	Ra>80	-40~45 C	PBT+Aluminum
NG-WL-200W16S	30000Lm	E39 E40	360 degree Beam Angle	Input Voltage AC100-277V 50~60Hz Power Factor(%) >90	1232PCS SMD 2835 Chips	WW 2800~3200 K NW 4000~4500 K DW 5000~5500 K CW 6000~6500 K	Ra>80	-40~45 C	PBT+Aluminum
NG-WL-250W16S	37500Lm	E39 E40	360 degree Beam Angle	Input Voltage AC100-277V 50~60Hz Power Factor(%) >90	1652PCS SMD 2835 Chips	WW 2800~3200 K NW 4000~4500 K DW 5000~5500 K CW 6000~6500 K	Ra>80	-40~45 C	PBT+Aluminum
NG-WL-300W16S	45000Lm	E39 E40	360 degree Beam Angle	Input Voltage AC100-277V 50~60Hz Power Factor(%) >90	1919PCS SMD 2835 Chips	WW 2800~3200 K NW 4000~4500 K DW 5000~5500 K CW 6000~6500 K	Ra>80	-40~45 C	PBT+Aluminum



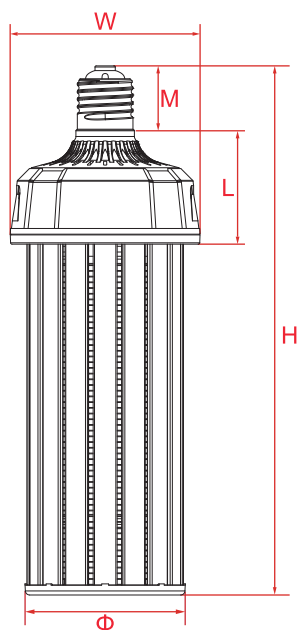
Series	Lumens	Base	Beam Angle (Degree)	Electrical Data	LED Type	Color Temperature	Color Rendering Index	Ambient Temperature	Material
NG-WL-60WH	9000Lm	E26 E27 E39 E40	360 degree Beam Angle	Input Voltage AC277-480V 50~60Hz Power Factor(%)>90	490PCS SMD 2835 Chips	WW 2800~3200 K NW 4000~4500 K DW 5000~5500 K CW 6000~6500 K	Ra>80	-40~45 C	PBT+Aluminum
NG-WL-80WH	12000Lm	E39 E40	360 degree Beam Angle	Input Voltage AC277-480V 50~60Hz Power Factor(%)>90	610PCS SMD 2835 Chips	WW 2800~3200 K NW 4000~4500 K DW 5000~5500 K CW 6000~6500 K	Ra>80	-40~45 C	PBT+Aluminum
NG-WL-100WH	15000Lm	E39 E40	360 degree Beam Angle	Input Voltage AC277-480V 50~60Hz Power Factor(%)>90	644PCS SMD 2835 Chips	WW 2800~3200 K NW 4000~4500 K DW 5000~5500 K CW 6000~6500 K	Ra>80	-40~45 C	PBT+Aluminum
NG-WL-120WH	18000Lm	E39 E40	360 degree Beam Angle	Input Voltage AC277-480V 50~60Hz Power Factor(%)>90	840PCS SMD 2835 Chips	WW 2800~3200 K NW 4000~4500 K DW 5000~5500 K CW 6000~6500 K	Ra>80	-40~45 C	PBT+Aluminum
NG-WL-160WH	24000Lm	E39 E40	360 degree Beam Angle	Input Voltage AC277-480V 50~60Hz Power Factor(%)>90	1232PCS SMD 2835 Chips	WW 2800~3200 K NW 4000~4500 K DW 5000~5500 K CW 6000~6500 K	Ra>80	-40~45 C	PBT+Aluminum
NG-WL-200WH	30000Lm	E39 E40	360 degree Beam Angle	Input Voltage AC277-480V 50~60Hz Power Factor(%)>90	1232PCS SMD 2835 Chips	WW 2800~3200 K NW 4000~4500 K DW 5000~5500 K CW 6000~6500 K	Ra>80	-40~45 C	PBT+Aluminum
NG-WL-250WH	37500Lm	E39 E40	360 degree Beam Angle	Input Voltage AC277-480V 50~60Hz Power Factor(%)>90	1652PCS SMD 2835 Chips	WW 2800~3200 K NW 4000~4500 K DW 5000~5500 K CW 6000~6500 K	Ra>80	-40~45 C	PBT+Aluminum



Series	Φ	W	M	L	H
NGWL-30W12S	2.716" (69MM)	3.54" (90MM)	1.77" (45MM)	2.87" (73MM)	7.145" (181.5MM)
NGWL-60W12S	2.716" (69MM)	3.54" (90MM)	1.77" (45MM)	2.87" (73MM)	9.37" (238MM)
NG-WL-60WH	2.716" (69MM)	3.54" (90MM)	1.77" (45MM)	2.87" (73MM)	9.37" (238MM)

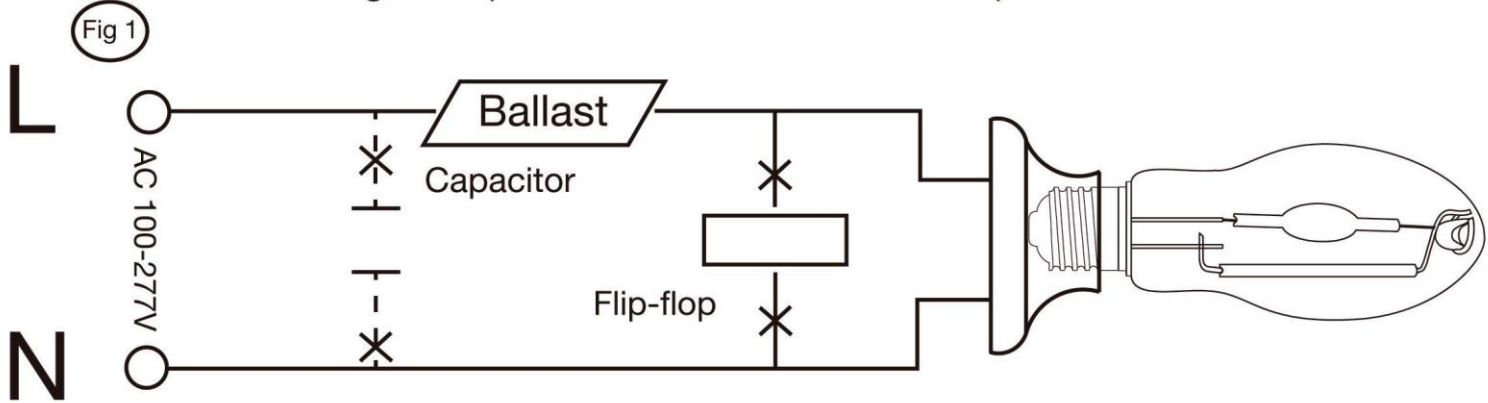


Series	Φ	W	M	L	H
NG-WL-80W14S	3.937" (100MM)	4.8" (122MM)	1.77" (45MM)	3.15" (80MM)	9.96" (253MM)
NG-WL-100W14S	3.937" (100MM)	4.8" (122MM)	1.77" (45MM)	3.15" (80MM)	10.75" (273MM)
NG-WL-120W14S	3.937" (100MM)	4.8" (122MM)	1.77" (45MM)	3.15" (80MM)	11.93" (303MM)
NG-WL-80WH	3.937" (100MM)	4.8" (122MM)	1.77" (45MM)	3.15" (80MM)	9.96" (253MM)
NG-WL-100WH	3.937" (100MM)	4.8" (122MM)	1.77" (45MM)	3.15" (80MM)	10.75" (273MM)
NG-WL-120WH	3.937" (100MM)	4.8" (122MM)	1.77" (45MM)	3.15" (80MM)	11.93" (303MM)

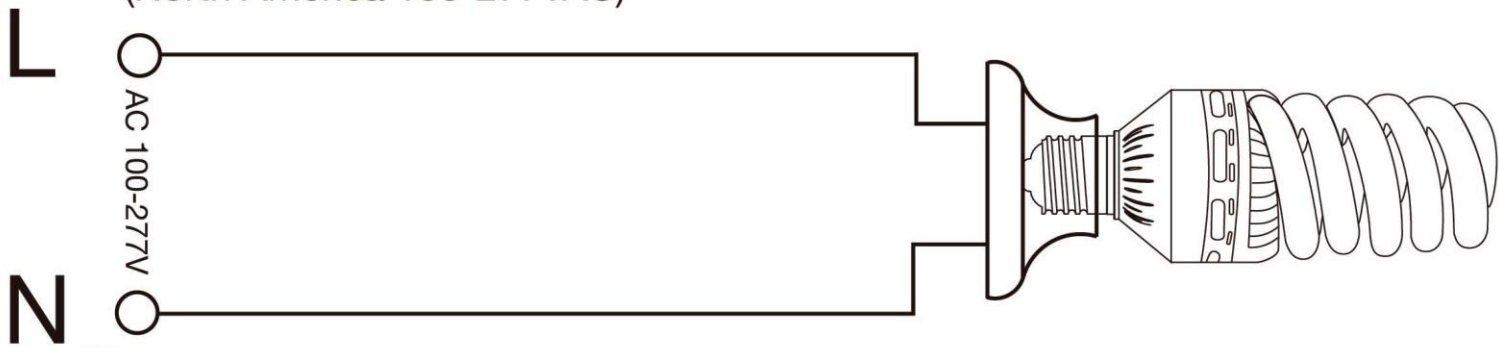


Series	Φ	W	M	L	H
NG-WL-160W16S	4.4" (112MM)	5.24" (133MM)	1.77" (45MM)	3.15" (80MM)	12.01" (305MM)
NG-WL-200W16S	4.4" (112MM)	5.24" (133MM)	1.77" (45MM)	3.15" (80MM)	13.19" (335MM)
NG-WL-250W16S	4.4" (112MM)	5.24" (133MM)	1.77" (45MM)	3.15" (80MM)	13.19" (335MM)
NG-WL-300W16S	4.4" (112MM)	5.24" (133MM)	1.77" (45MM)	3.15" (80MM)	14.37" (365MM)
NG-WL-160WH	4.4" (112MM)	5.24" (133MM)	1.77" (45MM)	3.15" (80MM)	12.01" (305MM)
NG-WL-200WH	4.4" (112MM)	5.24" (133MM)	1.77" (45MM)	3.15" (80MM)	13.19" (335MM)
NG-WL-250WH	4.4" (112MM)	5.24" (133MM)	1.77" (45MM)	3.15" (80MM)	13.19" (335MM)

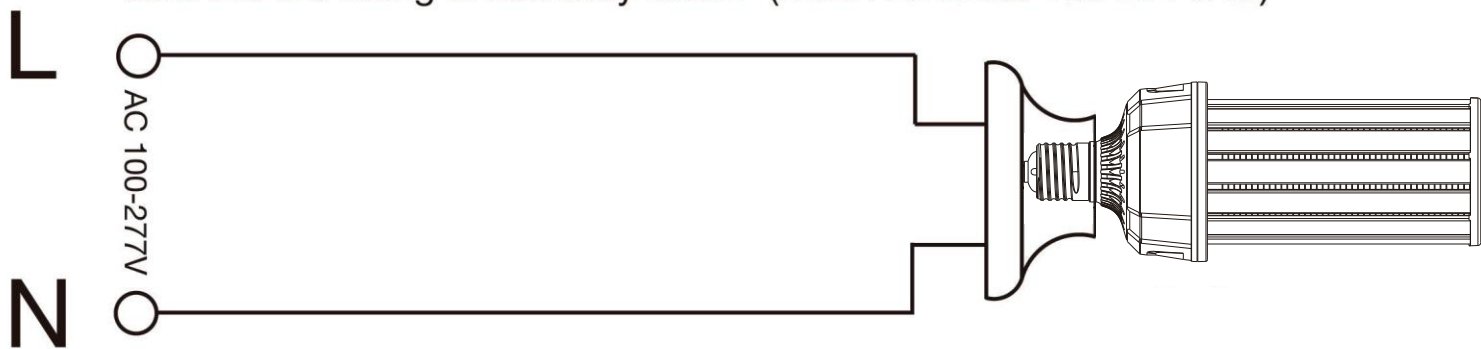
1. Remove old ballast or disconnect from existing lamp holder.
Remove and dispose of ballast in correct manner.
Shown as Figure 1. (North America 100-277 VAC)



2. Reconnect directly to the existing lamp holder. Shown as Figure 2
(North America 100-277VAC)



3. Install New LED Replacement lamp. Shown as Figure 3. Please make sure the old fitting is correctly earth. (North America 100-277VAC)



Flood Light Fixture



Cobra Fixture



Post Top Fixture



Shoebox Fixture



Wall Pack Fixture



High Bay Fixture



Parking Lot



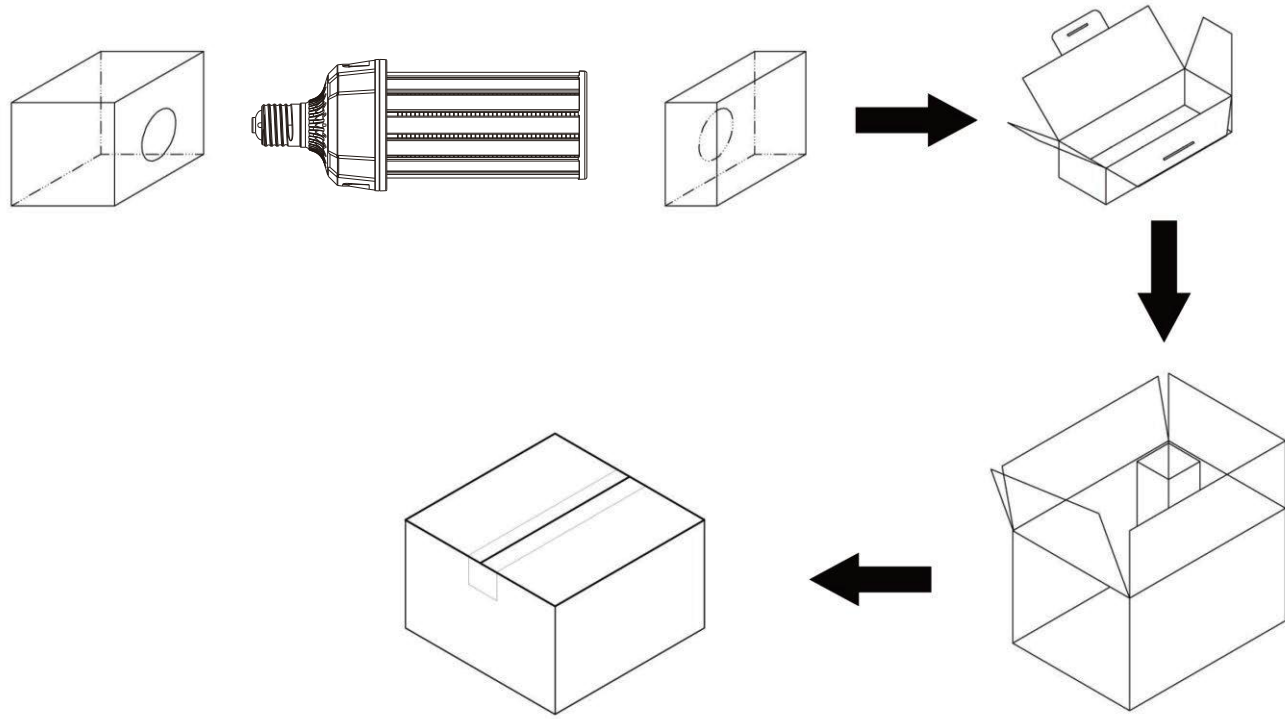
Yard



Street



Stadium



Series	Net Weight	Unit	Package Size	Volume
NGWL-30W12S	0.35 kg/ 0.77 lbs	1 pcs	23.5x12.5x12.5cm/ 9.25"*4.92"*4.92"	0.004m ³
		18 pcs	48.5x40.5x40.5cm/ 19.09"*15.94"*15.94"	0.080m ³
NGWL-60W12S	0.491 kg/ 1.08 lbs	1 pcs	29.5x12.5x13cm/ 11.61"*4.92"*5.12"	0.004m ³
		16 pcs	53x31x53.5cm/ 20.87"*12.20"*21.06"	0.088m ³
NG-WL-80W14S	0.817 kg/ 1.80 lbs	1 pcs	28x13.5x13.5cm/ 11.02"*5.31"*5.31"	0.005m ³
		12 pcs	56.5x43x29.5cm/ 22.24"*16.93"*11.61"	0.072m ³
NG-WL-100W14S	0.885 kg/ 1.95 lbs	1 pcs	30.5x13.5x13.5cm/ 12.01"*5.31"*5.31"	0.005m ³
		12 pcs	56x31.5x43cm/ 22.05"*12.40"*16.93"	0.075m ³
NG-WL-120W14S	0.982 kg/ 2.16 lbs	1 pcs	33.5x13.5x13.5cm/ 13.19"*5.31"*5.31"	0.006m ³
		12 pcs	56x34.5x43cm/ 22.05"*13.58"*16.93"	0.083m ³
NG-WL-160W16S	1.046 kg/ 2.31 lbs	1 pcs	37.5x13.5x13.5cm/ 14.76"*5.31"*5.31"	0.007m ³
		12 pcs	56x38.5x13.5cm/ 22.05"*15.16"*5.31"	0.092m ³
NG-WL-200W16S	1.158 kg/ 2.55 lbs	1 pcs	39.5x13.5x13.5cm/ 15.55"*5.31"*5.31"	0.007m ³
		12 pcs	56x41.5x43cm/ 22.05"*16.34"*16.93"	0.099m ³
NG-WL-250W16S	1.281 kg/ 2.82 lbs	1 pcs	37.5x13.5x13.5cm/ 14.76"*5.31"*5.31"	0.007m ³
		12 pcs	56x38.5x43cm/ 22.05"*15.16"*16.93"	0.093m ³
NG-WL-300W16S	1.41 kg/ 3.11 lbs	1 pcs	39.5x13.5x13.5cm/ 15.55"*5.31"*5.31"	0.007m ³
		12 pcs	56x41.5x43cm/ 22.05"*16.34"*16.93"	0.099m ³
NG-WL-80WH	0.837 kg/ 1.85 lbs	2 pcs	32x28x15cm/ 12.60"*11.02"*5.91"	0.013m ³
		12 pcs	58x45x32cm/ 22.83"*17.72"*12.60"	0.083m ³
NG-WL-100WH	0.992 kg/ 2.19 lbs	2 pcs	32x28x15cm/ 12.60"*11.02"*5.91"	0.013m ³
		12 pcs	58x44x34cm/ 22.83"*17.32"*13.39"	0.086m ³
NG-WL-120WH	1.015 kg/ 2.24 lbs	2 pcs	36x30x15cm/ 14.17"*11.81"*5.91"	0.016m ³
		12 pcs	58x44x36cm/ 22.83"*17.32"*14.17"	0.091m ³
NG-WL-160WH	1.19 kg/ 2.62 lbs	2 pcs	39x30x17cm/ 15.35"*11.81"*6.69"	0.019m ³
		12 pcs	58x45x40cm/ 22.83"*17.72"*15.75"	0.104m ³
NG-WL-200WH NG-WL-250WH	1.281 kg/ 2.82 lbs	1 pcs	37.5x13.5x13.5cm/ 14.76"*5.31"*5.31"	0.007m ³
		12 pcs	56x38.5x43cm/ 22.05"*15.16"*16.93"	0.093m ³