

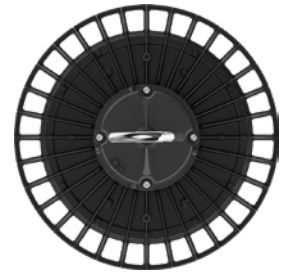
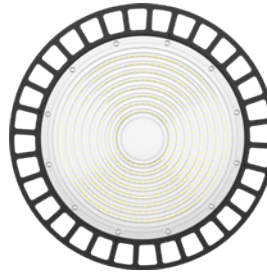
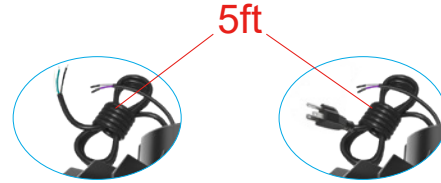
LED HIGH BAY LIGHT



- Available in 6 wattages: 100W, 150W, 200W, 240W, 300W, 500W
- Hook with screw, 5' cord for input and dimming wires
- Die-cast aluminum heatsink anti-corrosion housing
- Ribbed lens to reduce glare
- 0~10V dimming SOSEN LED driver
- 50,000hrs lifespan, 5 years warranty
- IP65 rated, wet location
- ETL, CE, DLC premium rated

*Optional

- 100-277/ 277-480VAC input voltage.
- Emergency battery backup
- 60°/ 90°/ 120° Beam angle.
- PC & Aluminum reflector.
- Microwave sensor kits.
- CCT & Watt tunable.
- US Plug



Emergency battery backup



Microwave Remote Control



Microwave Sensor

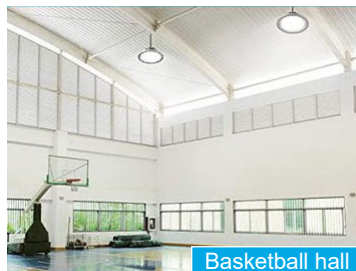
Applications

LED UFO high bay are ideal for replacing HID/ HPS/ MHL high bay fixtures.

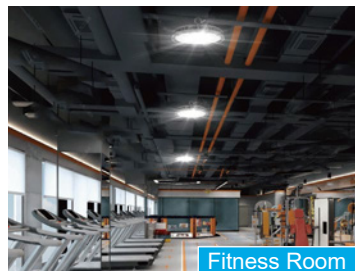
Applications such as warehouses workshop and manufacturing facilities and industrial buildings any indoor or outdoor commercial and industrial area.



Workshop



Basketball hall



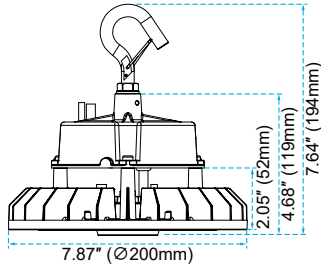
Fitness Room



Storehouse

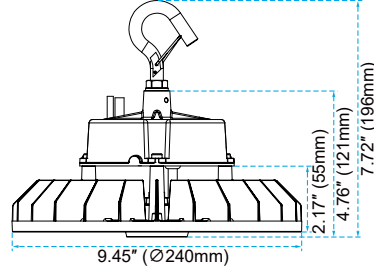
100W

Weight: 1500g/ 3.31 lbs



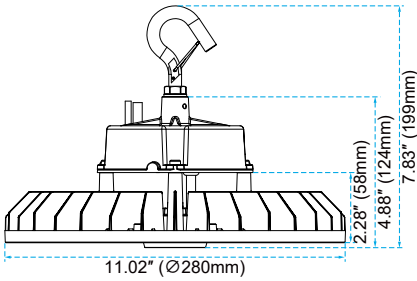
150W

Weight: 1700g/ 3.75 lbs



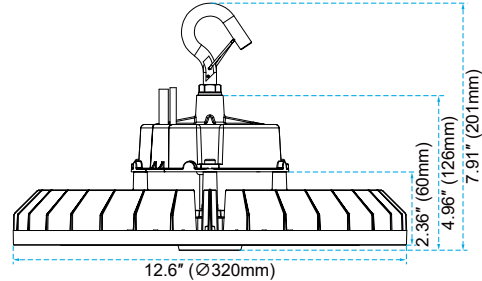
200W

Weight: 2000g/ 4.41 lbs



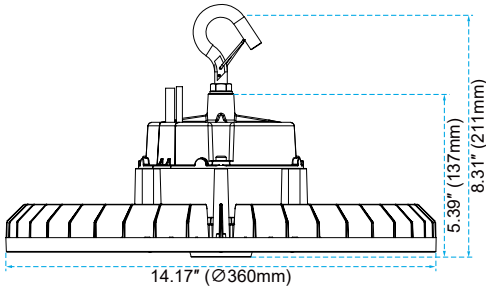
240W

Weight: 2500g/ 5.51 lbs



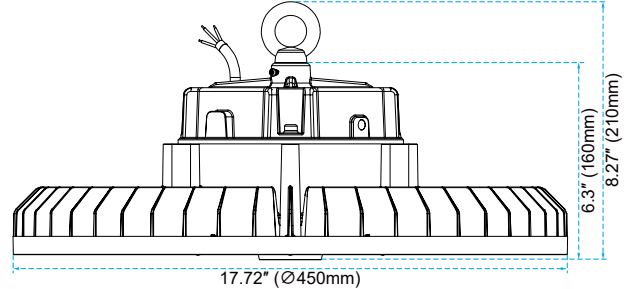
300W

Weight: 3800g/ 8.38 lbs



500W

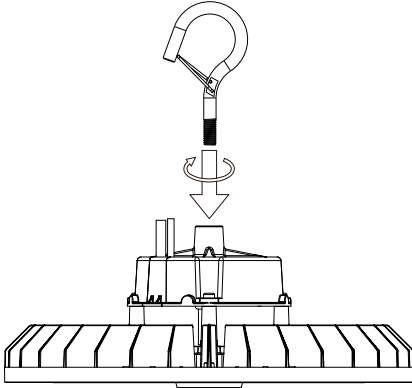
Weight: 6500g/ 14.33 lbs



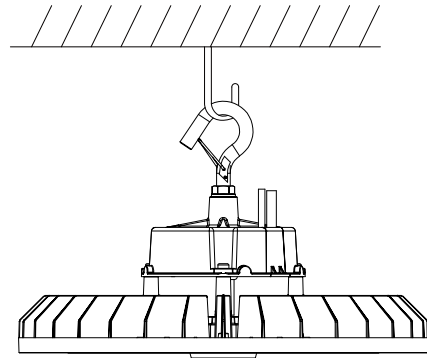
| Series | Lumens | LED Type | Beam Angle (Degree) | Electrical Data | Color Temperature | Color Rendering Index |
|-------------|----------|---|---------------------|--|--|-----------------------|
| NG-UFO-100W | 15000 Lm | 240 PCS <small>(120PCS - 4500K) (120PCS - 5700K)</small> | 90°/ 120° | Input Voltage 100-277VAC or AC277-480V 50~60Hz Power Factor(>)>90 | WW: 3000K NW: 4000K DW: 5000K CW: 5700K | Ra≥80 |
| NG-UFO-150W | 22500 Lm | 320 PCS <small>(160PCS - 4500K) (160PCS - 5700K)</small> | | | | |
| NG-UFO-200W | 30000 Lm | 480 PCS <small>(240PCS - 4500K) (240PCS - 5700K)</small> | 60° /90°/ 120° | Input Voltage 100-277VAC 50~60Hz Power Factor(>)>90 | | |
| NG-UFO-240W | 36000 Lm | 640 PCS <small>(320PCS - 4500K) (320PCS - 5700K)</small> | | | | |
| NG-UFO-300W | 45000 Lm | 640 PCS <small>(320PCS - 4500K) (320PCS - 5700K)</small> | | | | |
| NG-UFO-500W | 75000 Lm | 800 PCS SMD 2835 Chips | | | | |

1. Open the box and take out the LED light and ring.

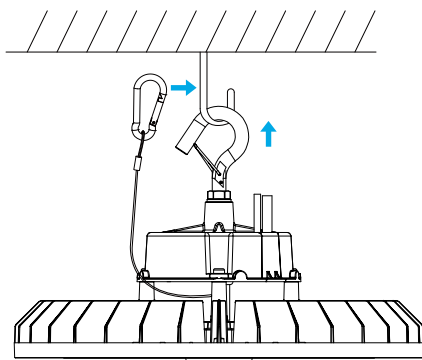
2. Install the ring into the light body as following diagram.



3. Hung the LED light with a sturdy hook.



4. Hang the safety wire one side to the lamp, another side to the sturdy hook shown by diagram.



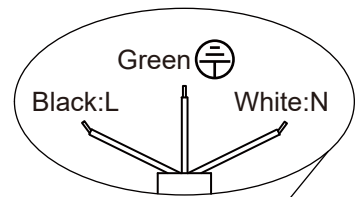
5. Connect wires as below diagram and turn on power to lighting.

Black wire : L

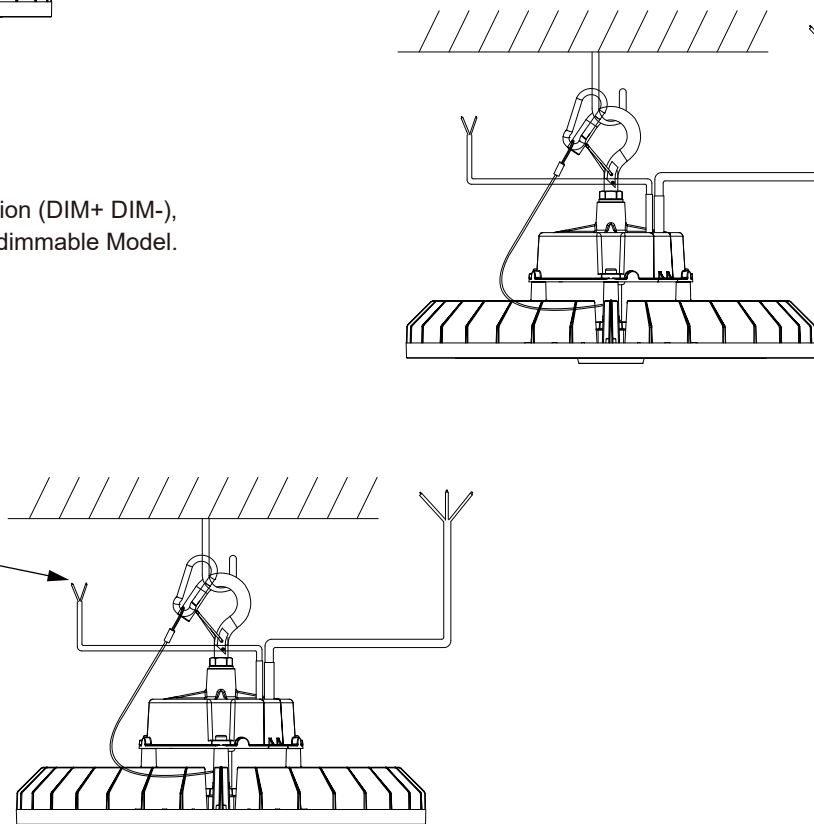
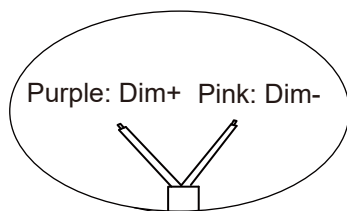
Green wire:

White wire : N

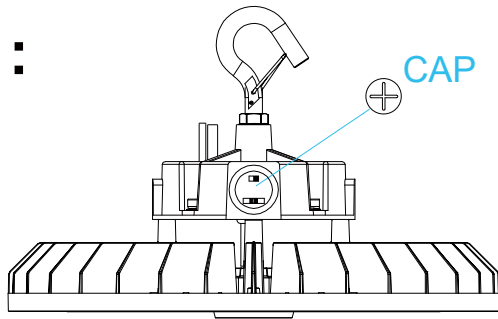
UL: (White:N)
(Green GND)
(Black:L)



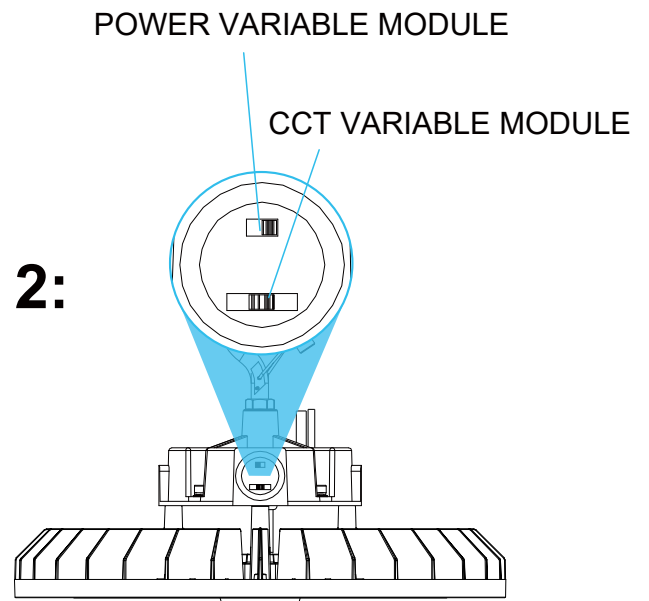
6. 0-10V DIM only valid for dimmable function (DIM+ DIM-), Pls ignore if no need dimmable or for Non-dimmable Model.



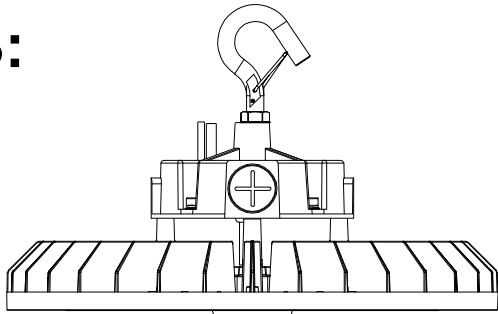
1:



2:



3:



1. UNSCREW THE CAP. 2. ADJUST PROPERLY POWER OR CCT. 3. SCREW THE CAP.

CCT Selections:

There are 3 color temperatures available (CW/NW/WW)
 Please select the color temperature you prefer before installation

| | | |
|-------|-------|-------|
| CW | NW | WW |
| 5700K | 5000K | 4500K |

Power Selections:

There are 3 power options (A/B/C), please select the power according to your needs

| | | | |
|----------------|------|-----|-----|
| UFO100W | A | B | C |
| | 100W | 80W | 60W |

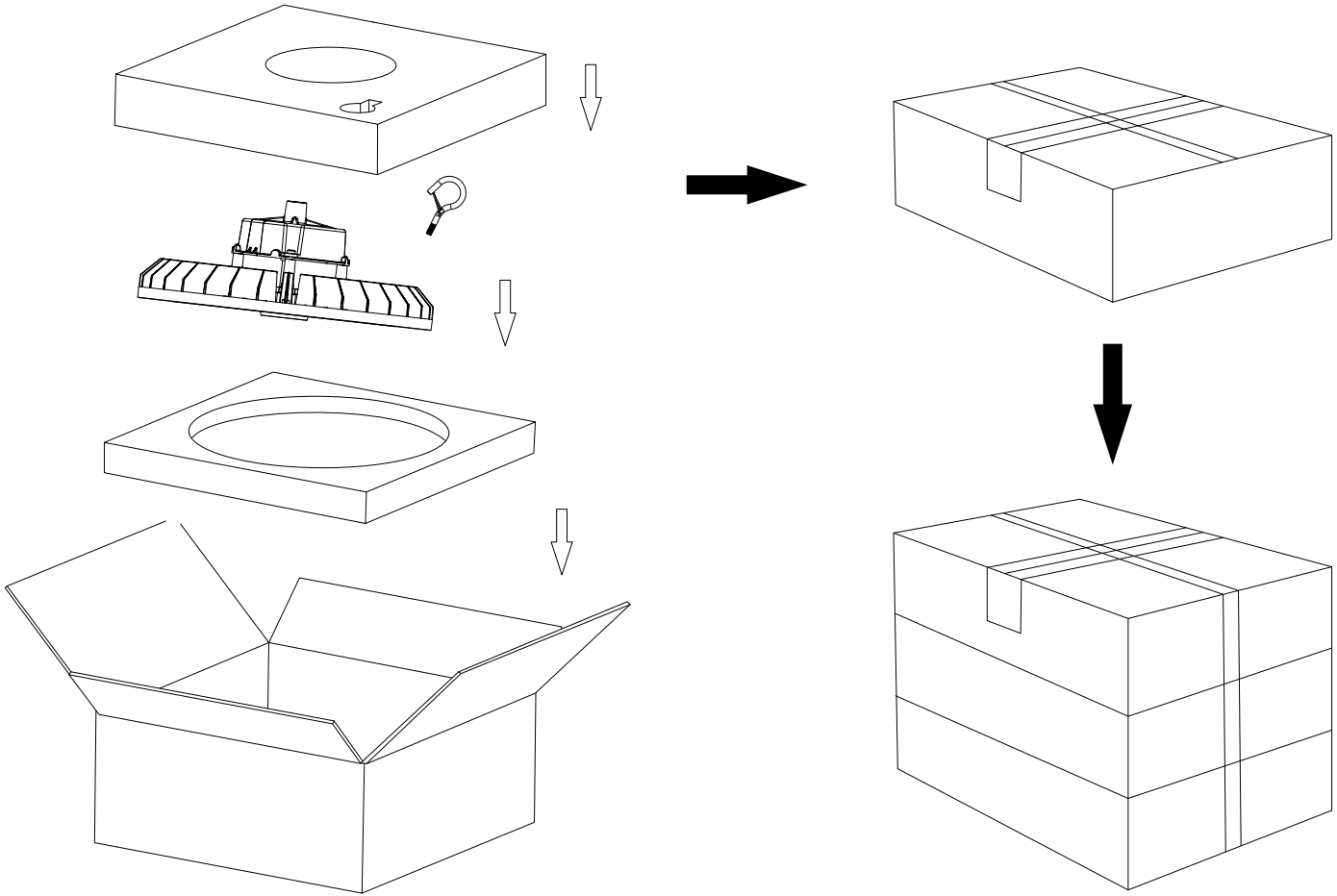
| | | | |
|----------------|------|------|-----|
| UFO150W | A | B | C |
| | 150W | 120W | 90W |

| | | | |
|----------------|------|------|------|
| UFO200W | A | B | C |
| | 200W | 160W | 120W |

| | | | |
|----------------|------|------|------|
| UFO240W | A | B | C |
| | 240W | 200W | 150W |

| | | | |
|----------------|------|------|------|
| UFO300W | A | B | C |
| | 300W | 240W | 180W |

| | | | |
|----------------|------|------|------|
| UFO500W | A | B | C |
| | 500W | 400W | 300W |



| Power | Unit | Size | Gross Weight | Volume |
|-------------|--------|-------------------------------------|--------------------|---------------------|
| NG-UFO-100W | 10 PCS | 535x500x435mm/ 21.06**19.68**17.12" | 19.5 KG/ 42.99 lbs | 0.116m ³ |
| NG-UFO-150W | 6 PCS | 580x300x585mm/ 22.83**11.81**23.03" | 14 KG/ 30.86 lbs | 0.102m ³ |
| NG-UFO-200W | 4 PCS | 535x335x515mm/ 21.06**13.19**20.27" | 11.5 KG/ 25.35 lbs | 0.092m ³ |
| NG-UFO-240W | 3 PCS | 540x375x380mm/ 21.26**14.76**14.96" | 11 KG/ 24.25 lbs | 0.077m ³ |
| NG-UFO-300W | 3 PCS | 570x385x390mm/ 22.44**15.16**15.35" | 13.8 KG/ 30.42 lbs | 0.086m ³ |
| NG-UFO-500W | 2 PCS | 475x420x485mm/ 18.7**16.54**19.09" | 14.8 KG/ 32.63 lbs | 0.097m ³ |