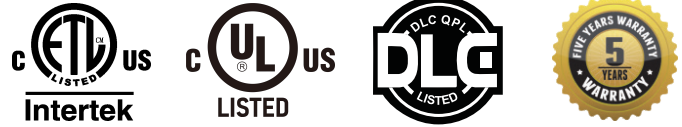


LED UFO PRO LIGHT

LED UFO PRO LIGHT

- UFOPR-100WH
- UFOPR-150WH
- UFOPR-200WH
- UFOPR-240WH
- UFOPR-300WH



Features

- Super-Thin Aluminum heatsink
- Remote control 0~10V dimmable
- 277-480VAC input
- SMD2835 LED Chips 150LM/W
- 6K high Voltage Surge test approved
- 120 Degree Beam Angle
- High Power Factor>0.9,Low THD Driver
- Excellent Heat Dissipation
- Energy Saving 50% At Least
- UL cUL DLC ETL cETL Approved
- 5 Years Warranty
- EASY INSTALLATION
- WATERPROOF AND DURABLE
- SAVING ENERGY

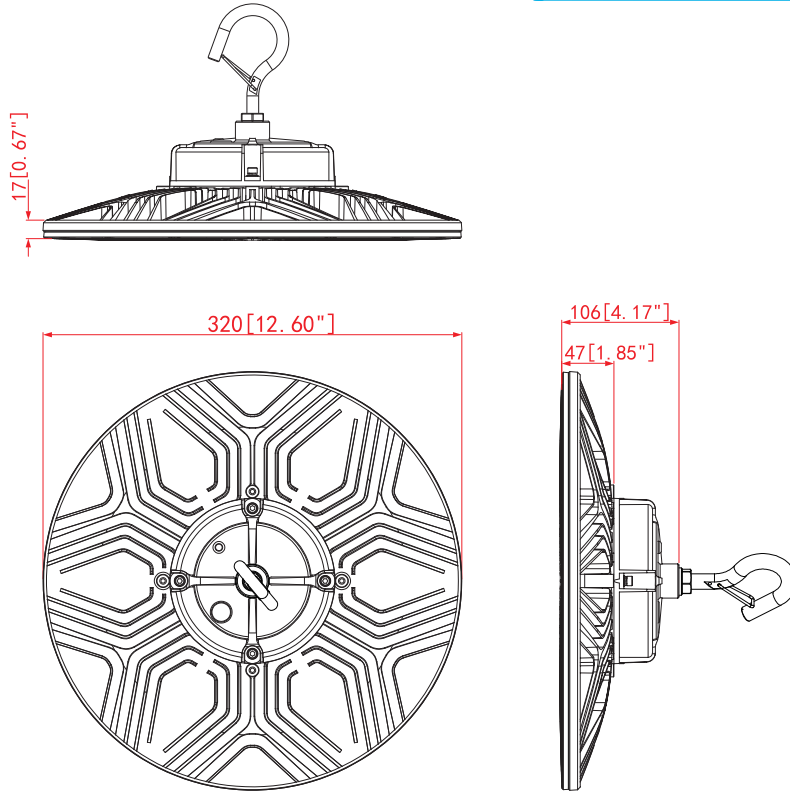


Applications

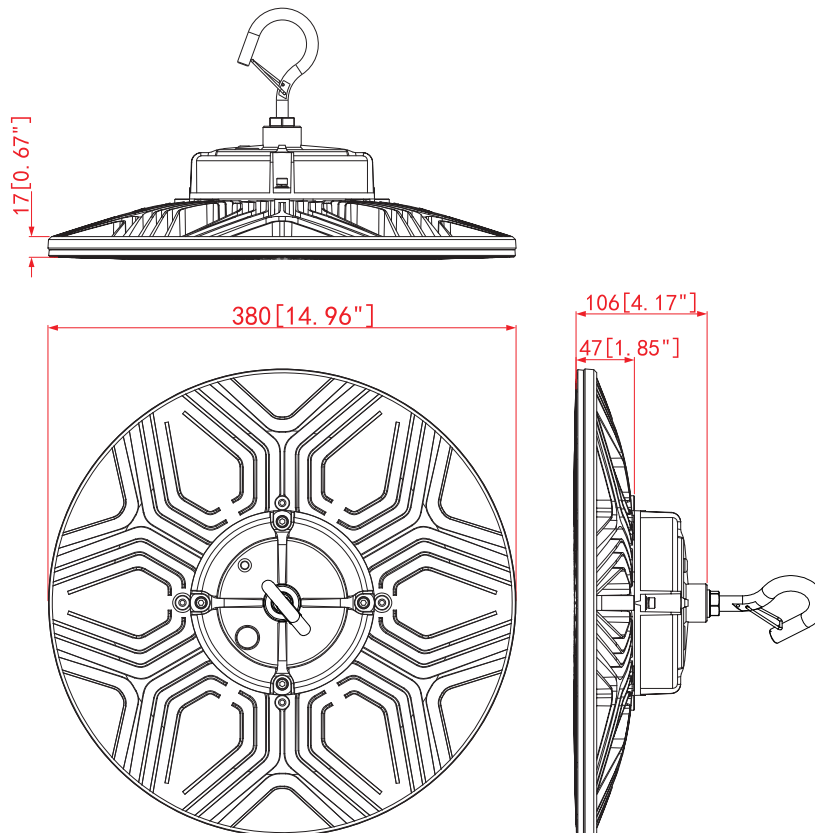
LED UFO PRO light series can be widely used in supermarket,garage,factory,workshops,highway toll station,gas station exhibition hall,commercial and industrial lighting etc.



Series	Lumens	Wiring	Beam Angle (Degree)	Electrical Data	LED Type	Color temperature	Color rendering index
UFOPR-100WH	15000Lm	ACL(Black) ACN(White) GND(Green)	120 degree	Input Voltage 277-480V 50~60Hz Power Factor(%) >90	SMD 2835 Chips	WW 3000 K NW 4000 K DW 5000 K CW 5700 K	Ra>70 Ra>80 Ra>90
UFOPR-150WH	22500Lm						
UFOPR-200WH	30000Lm						
UFOPR-240WH	36000Lm						
UFOPR-300WH	45000Lm						

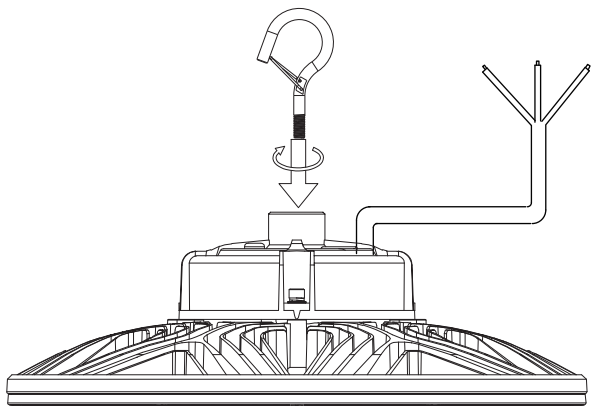


100W/150W

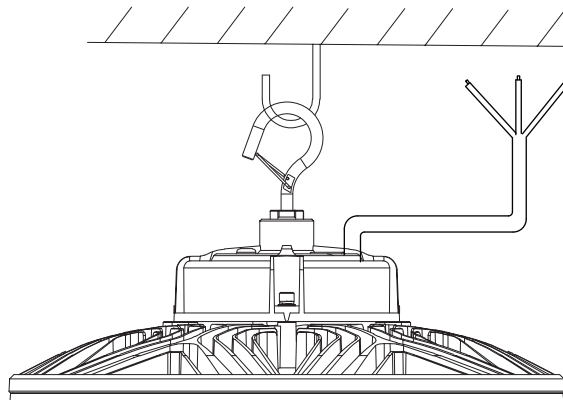


200W/240W/300W

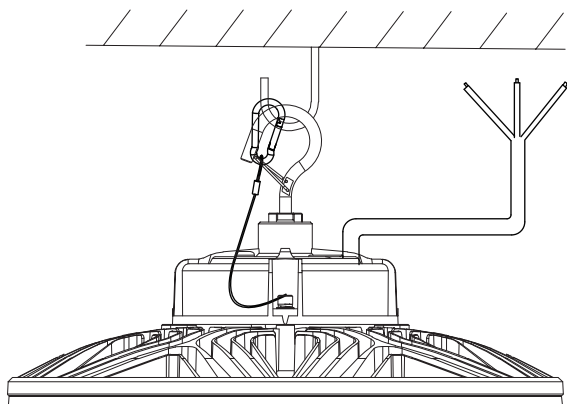
1. Open the box and take out the LED light and ring.
2. Install the ring into the light body as following diagram.



3. Hung the LED light with a sturdy hook.



4. Hang the safety wire one side to the lamp, another side to the sturdy hook shown by diagram.

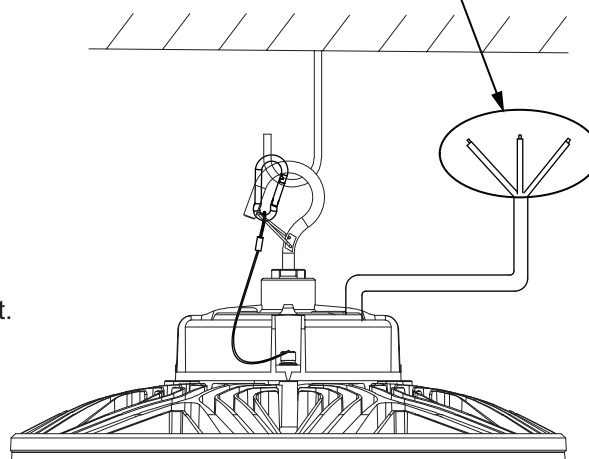
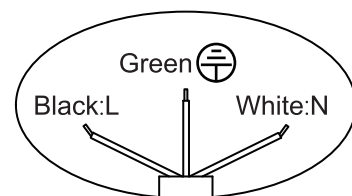


5. Connect wires as below diagram and turn on power to lighting.

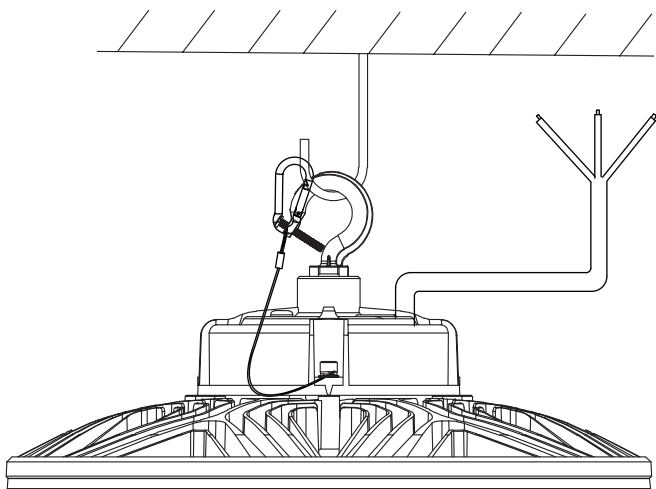
Black wire : L

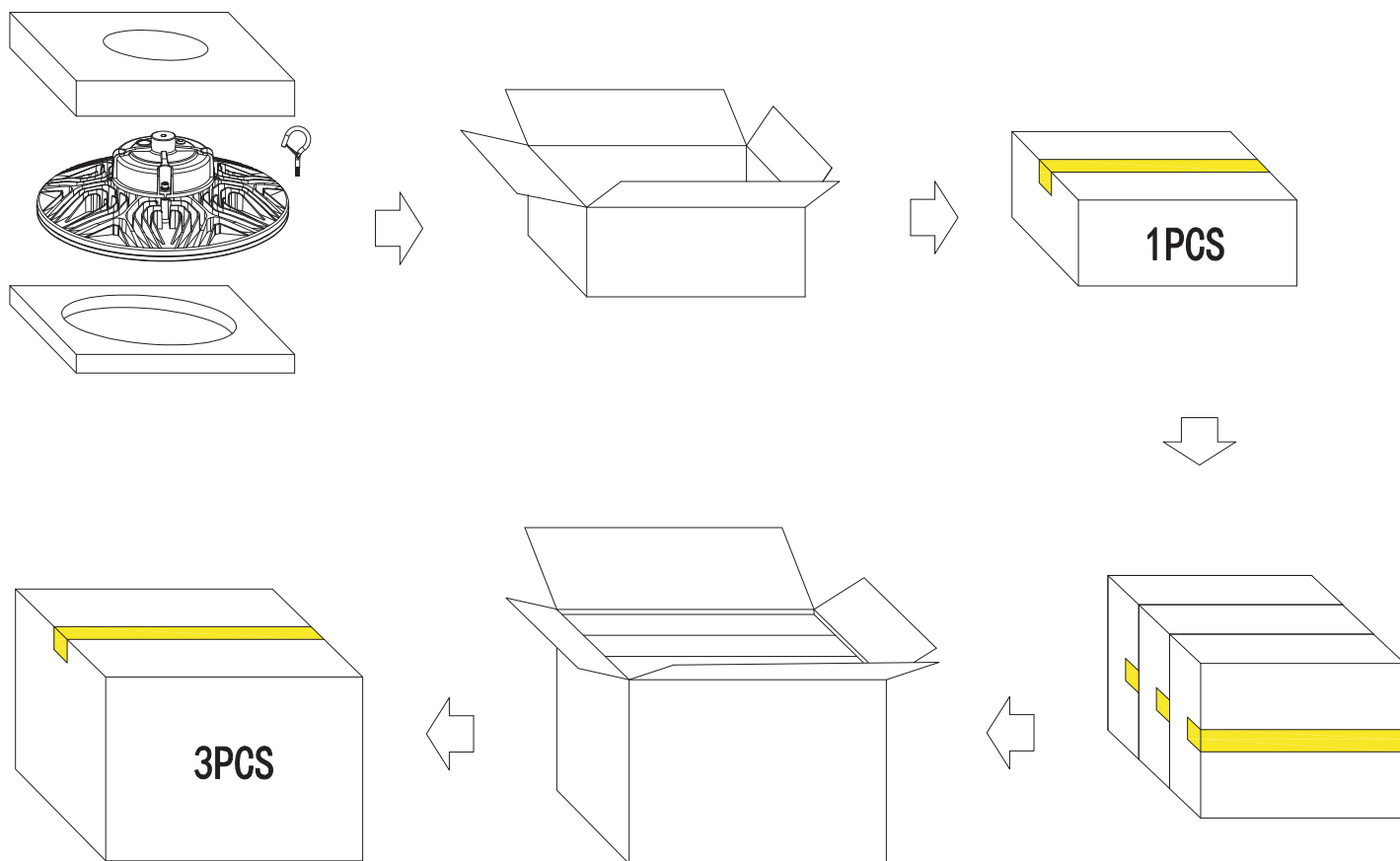
Green wire:

White wire : N



6. Use remote control to adjust product brightness, 0-100% adjustment. Or use microwave induction to intelligently adjust product functions.





Power	Unit	Size	Grass weight	Volume
100W 150W	1PCS	330X330X150mm	3.5 Kg	0.016m ³
	3PCS	500X350X355mm	14.5 Kg	0.063m ³

Power	Unit	Size	Grass weight	Volume
200W 240W 300W	1PCS	390X390X150mm	4.3 Kg	0.023m ³
	3PCS	490X410X415mm	17.5 Kg	0.084m ³