

LED TEMPORARY WORK LIGHT

**LED TEMPORARY WORK LIGHT**

- Outstanding lighting quality
- Convenient & professional
- No fan Passive cooling solution
- 360 degree Beam Angle lighting
- Link up to 7 units (Max 600 Watts)
- Energy saving, long lifespan

**Features**

80-100-125-150W available  
 150LM/W SMD2835 Chips  
 100-277VAC 50~60Hz

ETL Approved  
 Operating temperature: -40~50 C  
 long lifespan 50000 H  
 360 degree Beam Angle  
 6KV high voltage surge protection  
 Color temperature: 4000K 5000k 5700K

Efficient heat dissipation  
 Plug-n-Play design  
 IR control function available (Customized)  
 Suitable for dry and damp locations  
 Hollow heatsink increase air flow  
 No magnetic disturbance driver design  
 5 years warranty

**Applications**

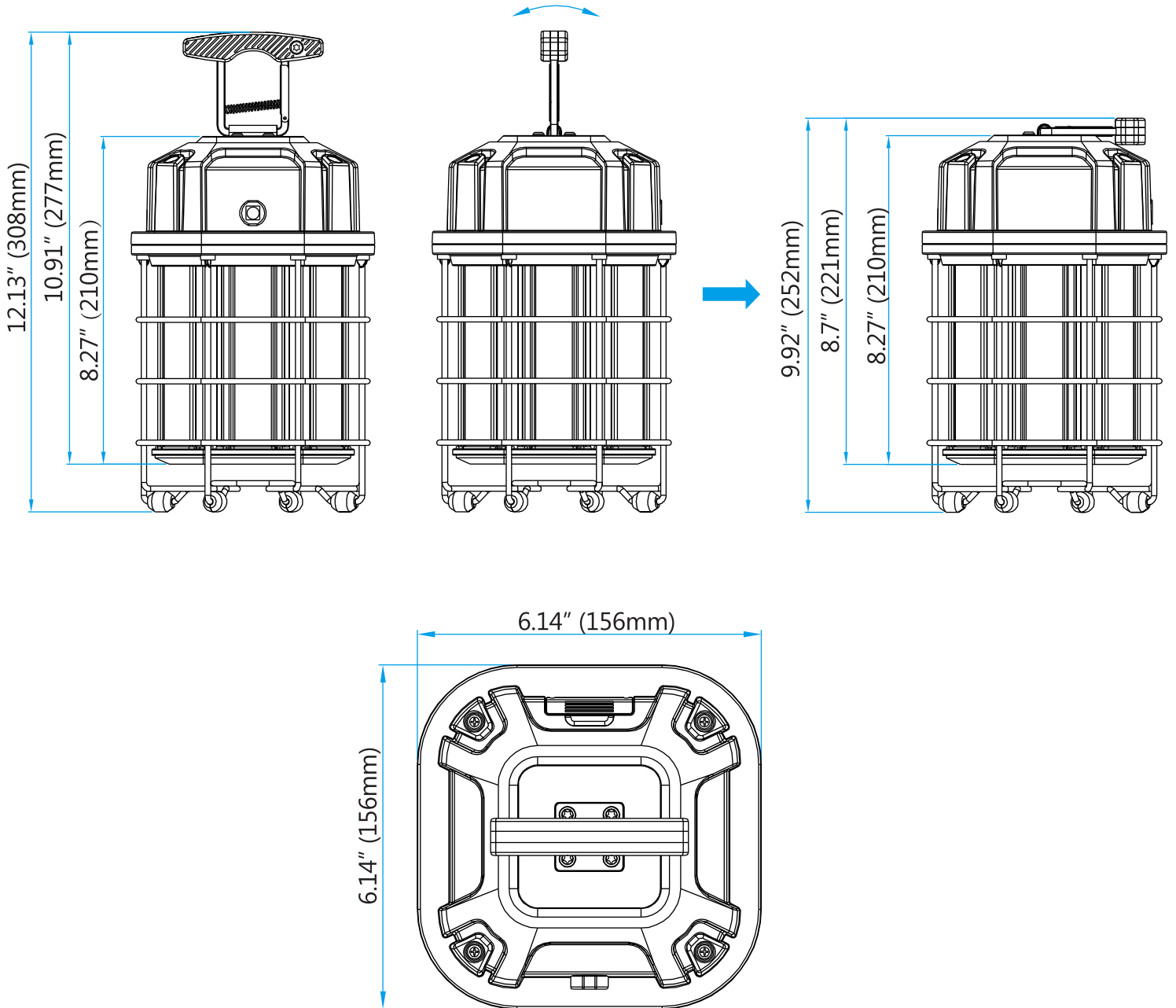
LED Temporary Work Light series can be widely used in warehouses, wharf, factories and workshops, highway toll stations, gas stations, mine, etc.



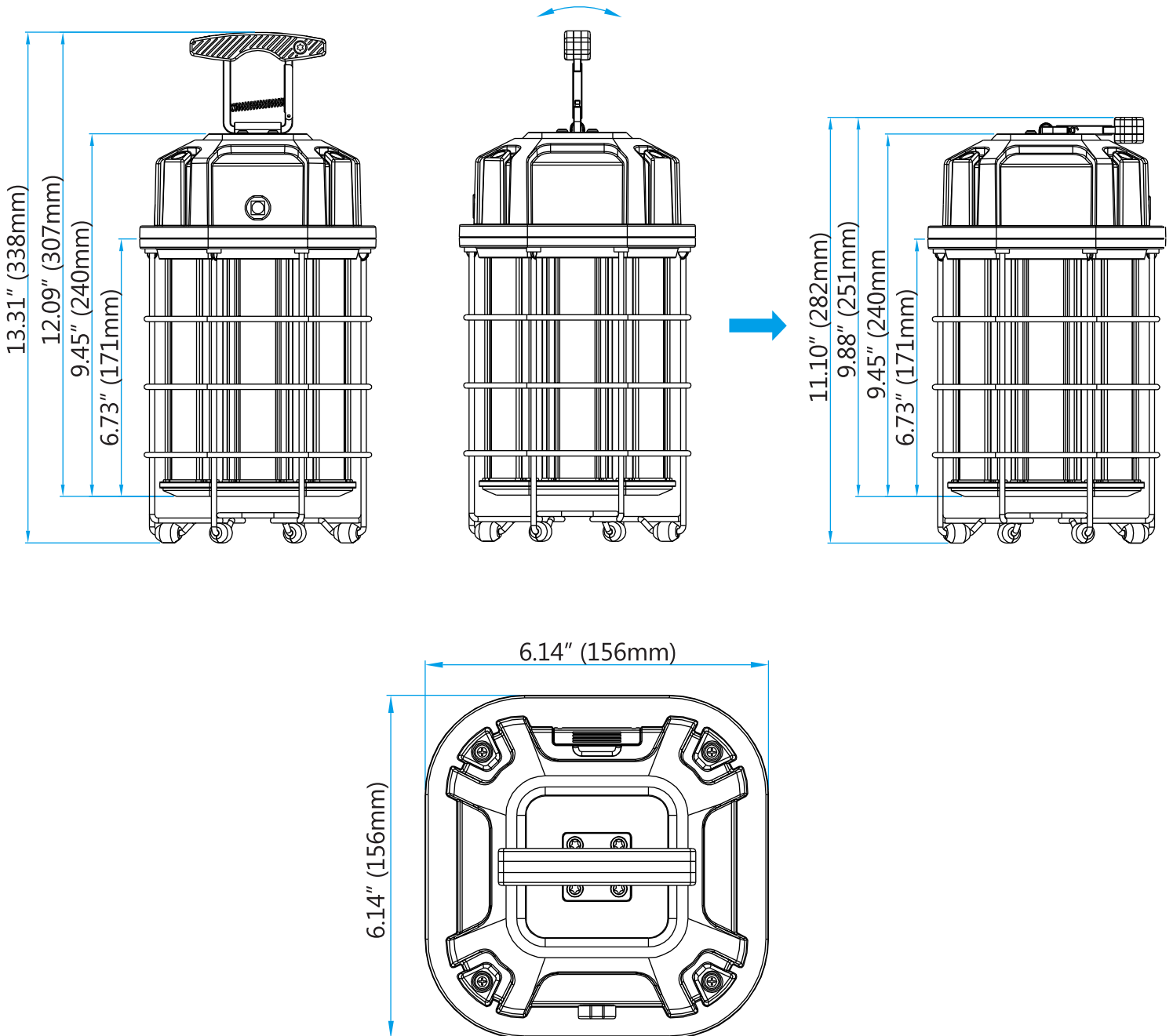
Series	Lumens	Base	Beam Angle (Degree)	Electrical Data	LED Type	Color temperature	Color rendering index
NG-TWX-80W	9000LM	3 pin wires	360 degree	Input Voltage 100-277V 50~60Hz Power Factor(%) >90	SMD2835 chips	WW 2800~3000 K NW 4000~4500 K DW 5000~5500 K CW 6000~6500 K	80 80 CRI
NG-TWX-100W	15000LM	3 pin wires					
NG-TWX-125W	18750LM	3 pin wires					
NG-TWX-150W	22500LM	3 pin wires					

Where "X" can be Y or G, where Y represents color is Yellow, G represents color is Gray.

**80W, 100W**

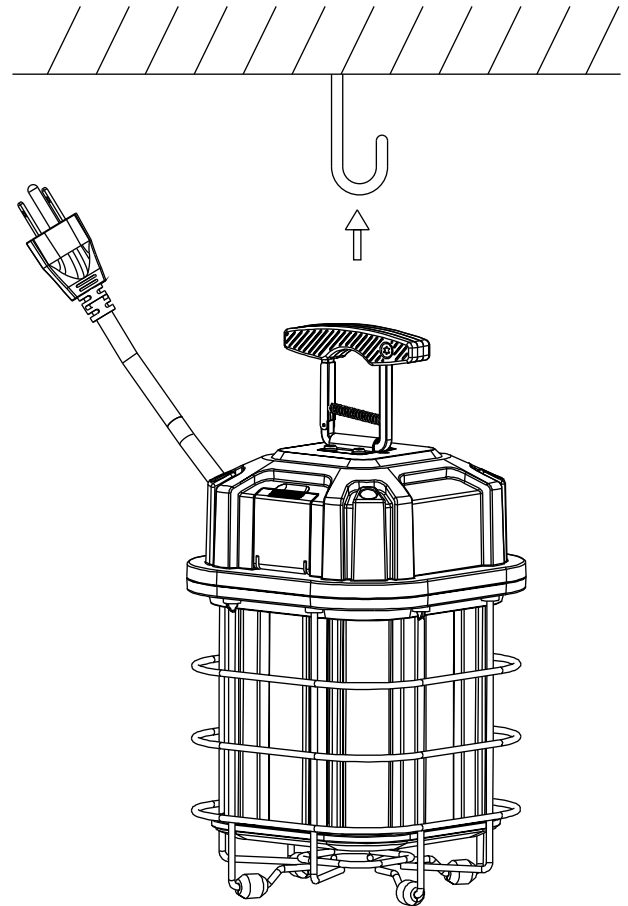
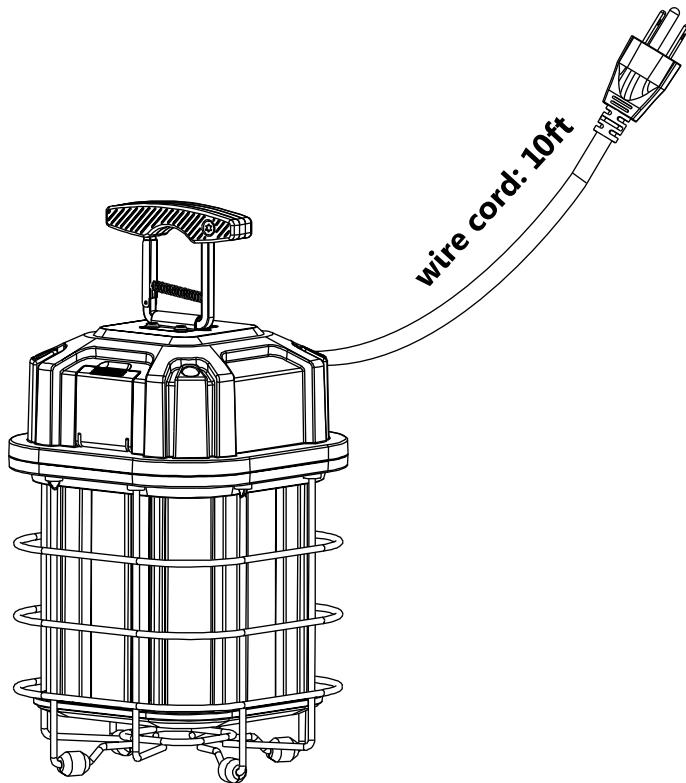


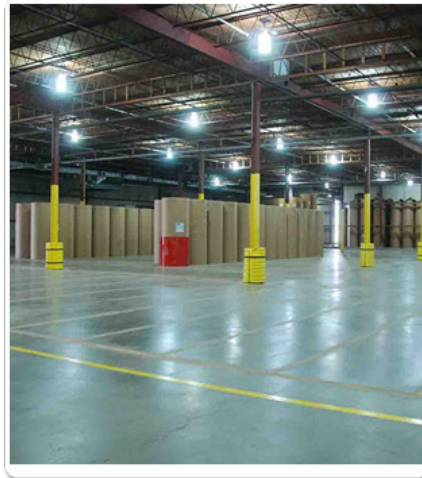
**125W, 150W**



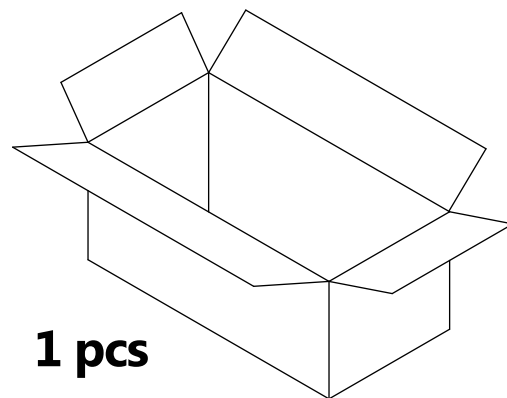
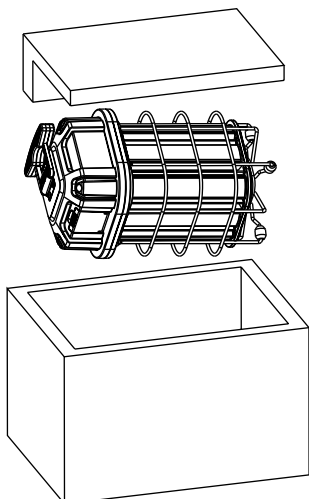
1. Take the LED Temporary Work Light with hook from the package.

2. Install lamp hooks on reliable hooks or walls.

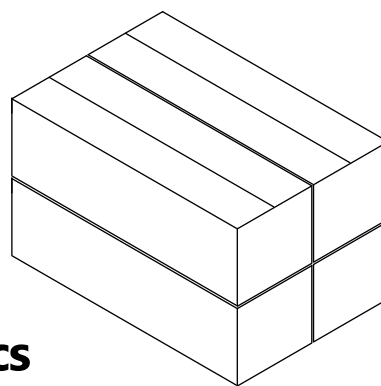
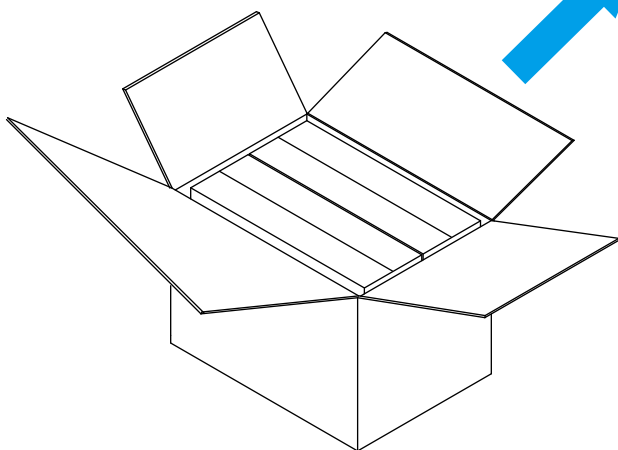
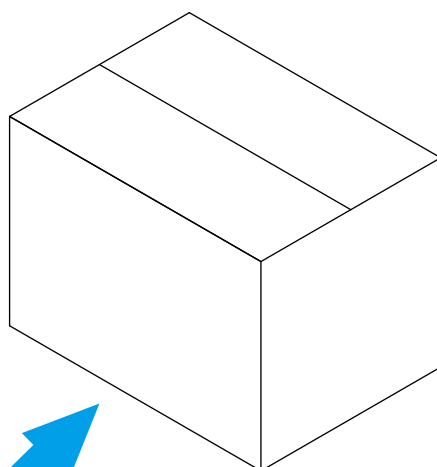




**PACKAGE**



**1 pcs**



**4 pcs**

Series	Unit	Size	Gross weight
NG-TWX-80W	1Pcs	32.5*24.5*20.5 CM	2.7 KG
NG-TWX-100W	4Pcs	51.0*34.5*43.5 CM	12.3 KG
NG-TWL-125W	1Pcs	32.5*24.5*20.5 CM	3.2 KG
NG-TWL-150W	4Pcs	51.0*34.5*43.5 CM	13.5 KG