

LED Canopy Light

- Ideal for indoor or half outdoor lighting, like indoor parking, gas stations, stairwells, passageway's, toll booth's, waiting rooms, etc
- IP65 Waterproof, perfect for any damp or wet Locations.
- Resists rust, corrosion, cracking and any electrical shocks or fires due to moisture
- Corporate & office, education, government, healthcare industrial & warehouse, municipal, parking, petroleum & convenience stores, recreation & public venues, restaurants & hospitality, retail & grocery



Features

- Photocell dusk to dawn
- Reflective lens design to optimize lighting efficiency and minimize glare
- The super thin appearance design conforms to modern aesthetic
- Cast aluminum thermal management for optimal heat sinking
- Suitable for recessed or surface mounted installation
- Protective powder coating for lasting appearance
- PC cover milky & transparent
- Working temperature(F): -30° F to 130°F
- High output 150LM/W SMD3030 chips
- Sturdy die-cast aluminum housing
- IP65 rating for outdoor use
- Instant start, no noise, no flickering
- Mounts to standard junction boxes
- Adjustable CCT: 4500K/ 5000K/ 5700K
- Adjustable power: 60%/ 80%/ 100%
- Top quality with 5 years warranty
- Microwave sensor kits optional

CCT Adjustable	Power Adjustable
4500K 5000K 5700K	60% 80% 100%

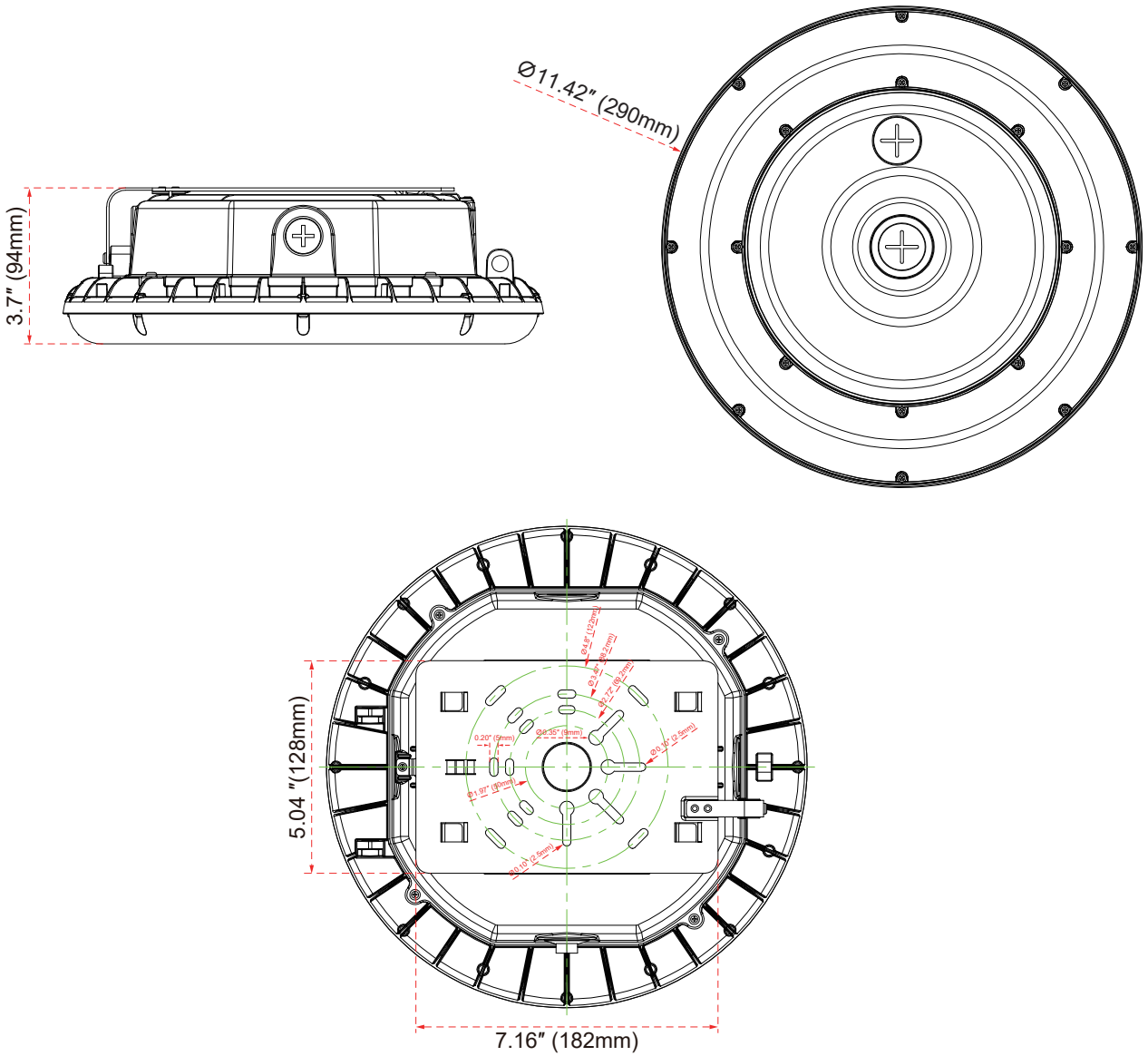
Applications

Airport, auto dealership, corporate & officem, education, government, healthcare, industrial & warehouse, municipal, parking, petroleum & convenience stores, recreation & public venues, restaurants & hospitalityretail & grocery



60W/ 80W/ 100W

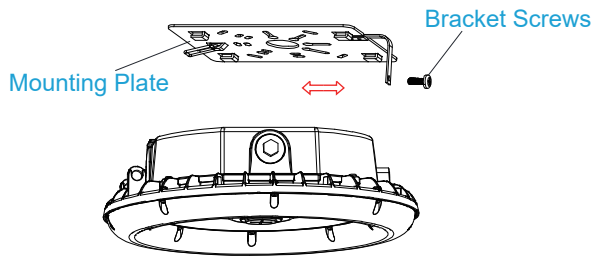
Weight: 2100g/ 4.63 lbs



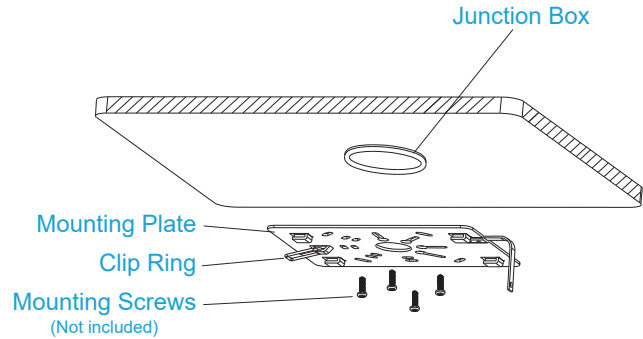
Series	Lumens	Wiring	IP Rating	Beam Angle (Degree)	Electrical Data	LED Type	Color temperature	Color rendering index
NG-CP-60W	9000Lm	3 pin wires	IP65	120°	Input Voltage 120-277V 50~60Hz Power Factor(%) >96	SMD 3030 chips	WW 4500K NW 5000K CW 5700K	CRI≥80
NG-CP-80W	12000Lm							
NG-CP-100W	15000Lm							

Ceiling Installation

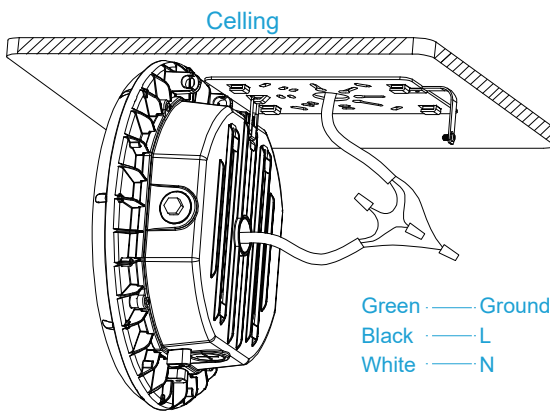
Warning: Turn off the power before installation



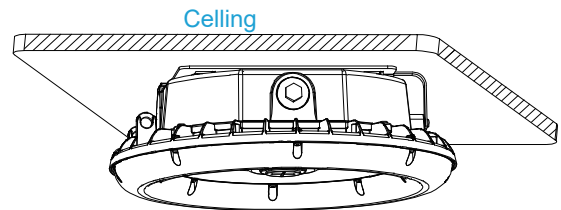
1. Unscrew the bracket screws and remove the mounting plate from the lamp housing.



2. Secure the mounting plate to the ceiling using screws.



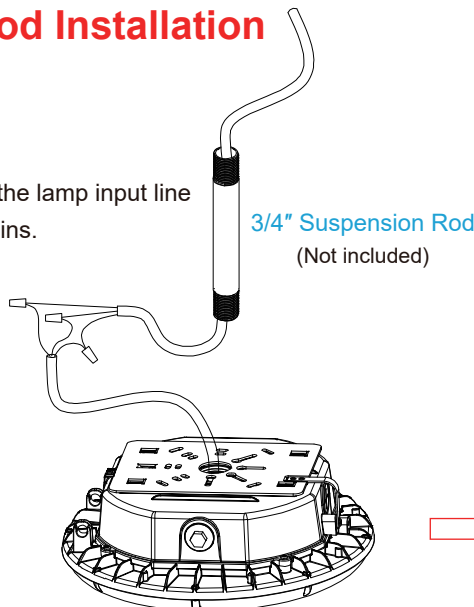
3. Insert the clip ring of the plate into the latch of the light fixture housing, and hang the fixture on the bracket.
 4. Disconnect the power supply and properly connect the fixture's wiring (live wire, neutral wire, and ground wire) to the corresponding power supply wiring.



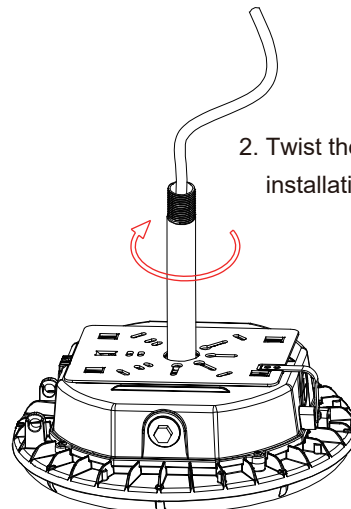
5. If there are color temperature and power adjustment functions, set them to the desired settings.
 6. Remove the light sensor cap if you need the light sensor function.
 7. Push the fixture into the plate and tighten the screws to secure the fixture in place.

Suspension Rod Installation

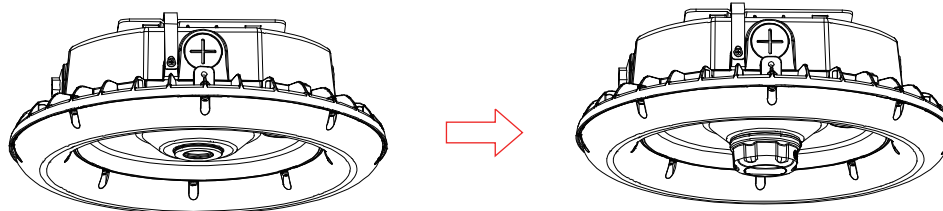
1. Connect the lamp input line to the mains.



2. Twist the light fixture to the installation pole to secure it.

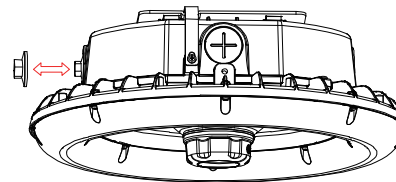
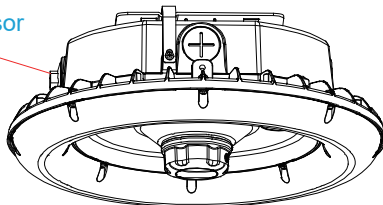


3. Remove the light sensor cap if you need the light sensor function.

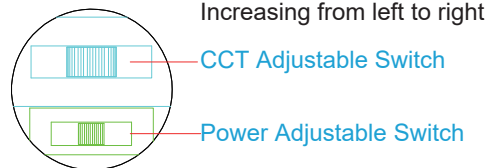
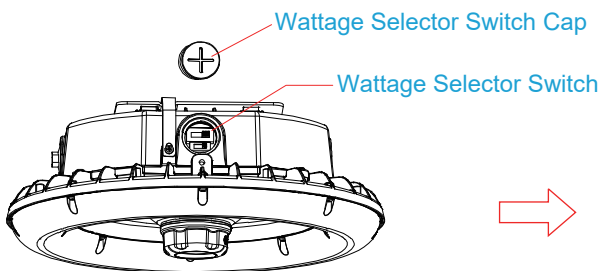


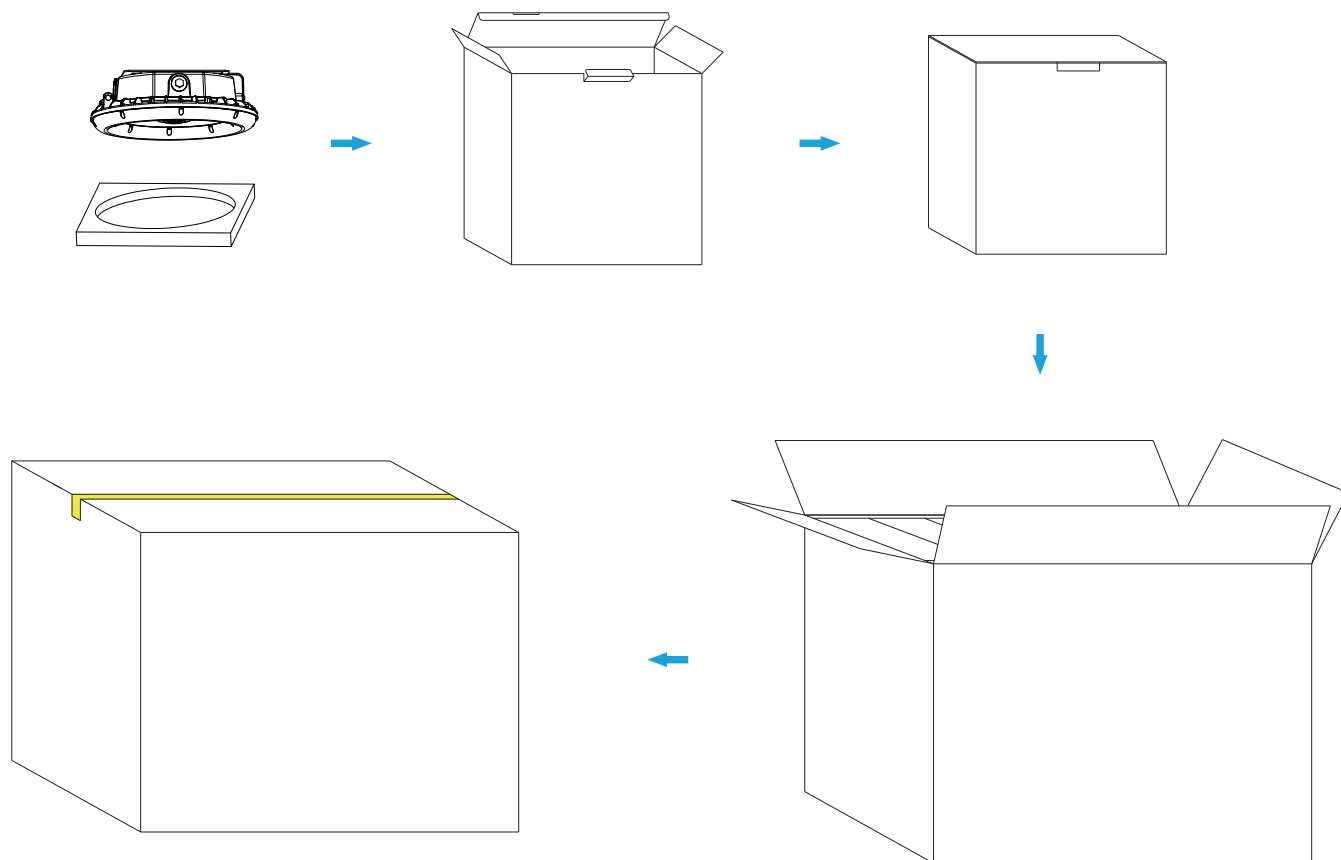
Microwave Sensor

Photocell Sensor



Remove the light sensor cap if you need the light sensor function.





Power	Unit	Size	Gross Weight	Volume
NG-CP-60W	1 PC	330x330x135mm / 12.99**12.99**5.31"	2.5 KG / 5.51 lbs	0.015m³
NG-CP-80W				
NG-CP-100W	6 PCS	600x490x495mm / 23.62**19.29**19.49"	15 KG / 33.07 lbs	0.146m³