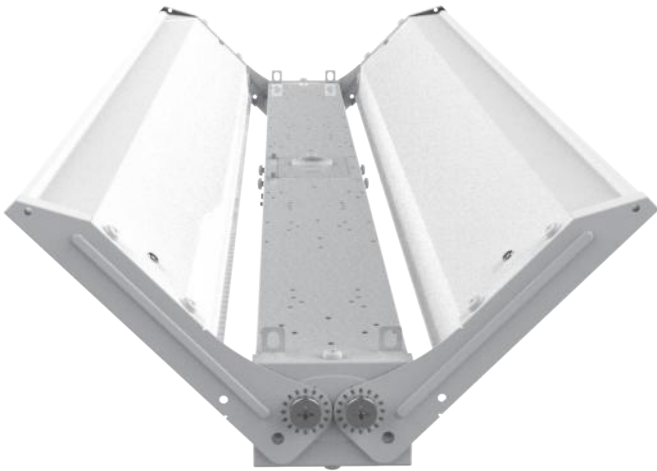
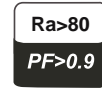


Tunable LED Linear High bay (LHB06)

Wattages: 165/110/80W, 220/165/110W, 300/225/165W Tunable



The Linear High Bay with its all-in-one, high quality lampshad with multiple mounting situations available put it at the top of the list for any high ceiling area where super bright light is needed. The LED Linear High bay Light Series can be widely used for indoor excellent for warehouse, industry building, factories, fitness center, and many other applications. Lighting controls meet design lights consortium (DLC) networked lighting control system technical requirements, LLLC, Energy Monitoring and High End Trim function.

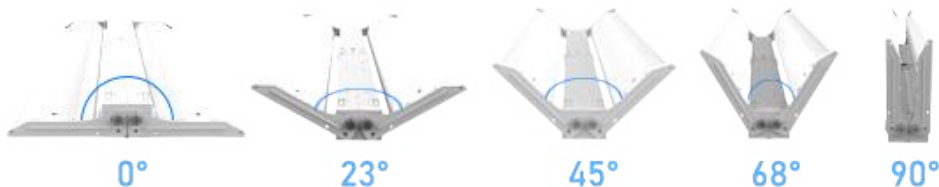


PRODUCT FEATURES:

- Optical design, greatly improved the light utilization and evenness.
- More brightness up to 150LPW
- High efficiency LED Driver, voltage AC120-277 / AC120-347V
- Rugged galvanized rolled iron plate housing, better cooling, light quality, LED Tj < 85°C.
- 0-10V dimming.
- 12Vdc auxiliary dimming
- Field install plug and play Bi-Level Sensor.

SPECIFICATION

MODEL	NG-LHB06-L3-165W-H-XXX-Y (F)	NG-LHB06-L3-220W-H-XXX-Y (F)	NG-LHB06-L5-225W-H-XXX-Y (F)	NG-LHB06-L5-300W-H-XXX-Y (F)
WATTAGE	165W/110W/80W	220W/165W/110W	225W/165W/110W	300W/225W/165W
CCT	3500K, 4000K, 5000K			
EFFICACY	Up to 150LPW			
CRI	Ra 70			
INPUT VOLTAGE	AC120-277V AC120-347V			
DISTRIBUTION	90°			
POWER FACTOR	0.9			
DRIVER EFFICACY	90%			
DIMMING	0-10Vdc			
LIFE SPAN WORKING	over 50,000 hrs			
TEMPERATURE	-40°F~113°F			
STORAGE TEMPERATURE	-40°F~176°F			
OUTDOOR RATING	Damp location			
CABLE	5 core, 18AWG 0.16m			
WARRANTY	5 year limited			

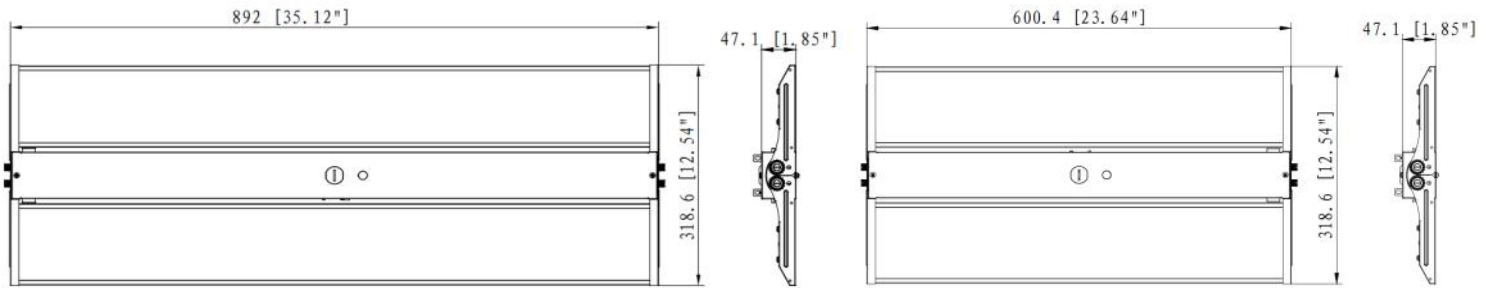


0-90° Foldable Installation Chain Mount/ Conduit/Surface Mount

Tunable LED Linear High bay (LHB06)

Wattages: 165/110/80W, 220/165/110W, 300/225/165W Tunable

PRODUCT DIMENSION:



Model	Packing	Size	Net Weight	Gross Weight	pcs/ctn
NG-LHB06-L3-165W-H-XXX-Y (F)	Outer Packing Size	(24.72x7.32x7.95 inch) (628x186x202 mm)	11.46 Lbs(5.2 Kg)	12.78 Lbs(5.8 Kg)	2 pcs/ctn
NG-LHB06-L3-220W-H-XXX-Y (F)	Outer Packing Size	(24.72x7.32x7.95 inch) (628x186x202 mm)	11.46 Lbs(5.2 Kg)	12.78 Lbs(5.8 Kg)	2 pcs/ctn
NG-LHB06-L5-225W-H-XXX-Y (F)	Outer Packing Size	(36.26x7.32x7.95 inch) (921x186x202 mm)	15.74 Lbs/(7.14 Kg)	17.85 Lbs(8.1 Kg)	2 pcs/ctn
NG-LHB06-L5-300W-H-XXX-Y (F)	Outer Packing Size	(36.26x7.32x7.95 inch) (921x186x202 mm)	15.74 Lbs(7.14 Kg)	17.85 Lbs(8.1 Kg)	2 pcs/ctn



ACCESSORIES MOUNTING BRACKETS



Chain Mount

Standard

SOLD SEPARATELY



Mircrowave Sensor



Surface Mount



J-Box Mount



Emergency Driver



Wire Guard



Remote Controller

Tunable LED Linear High bay (LHB06)

Wattages: 165/110/80W, 220/165/110W, 300/225/165W Tunable

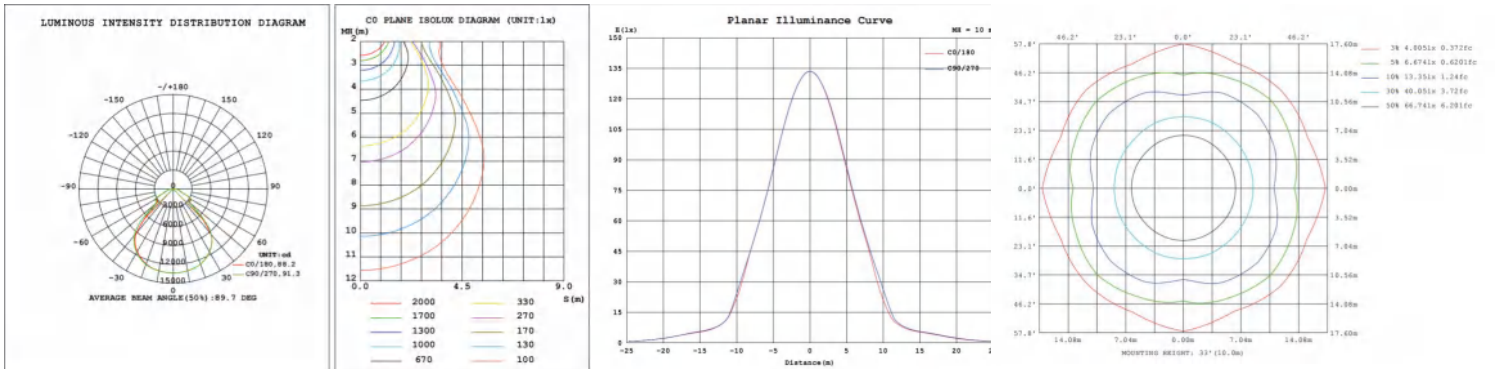
DISTRIBUTION

NG-LHB06-L3-165W-H-XXX-Y (F) (165W, 5000K)

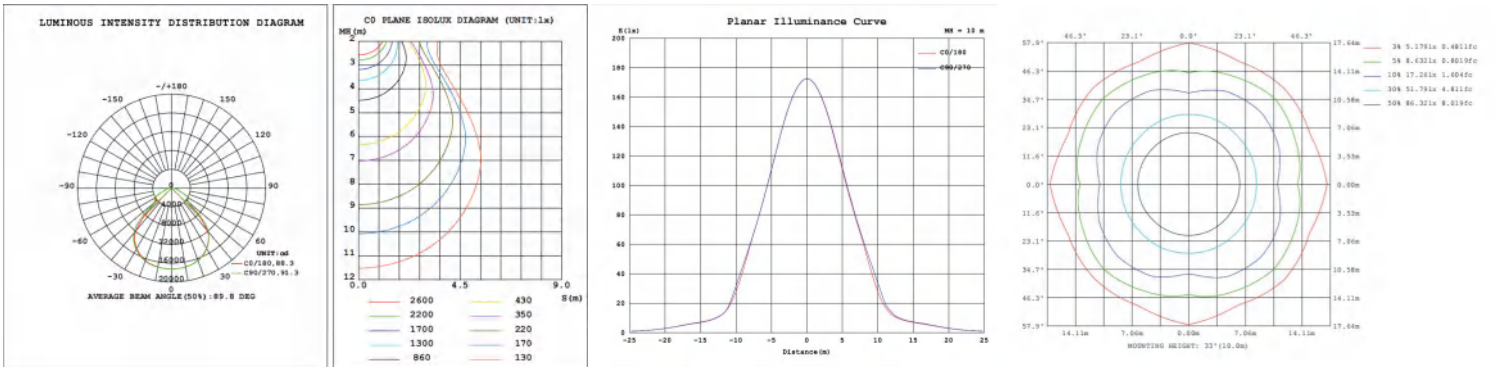
For complete IES files, please visit our website.



NG-LHB06-L3-220W-H-XXX-Y (F) (220W, 5000K)



NG-LHB06-L5-300W-H-XXX-Y (F) (300W, 5000K)

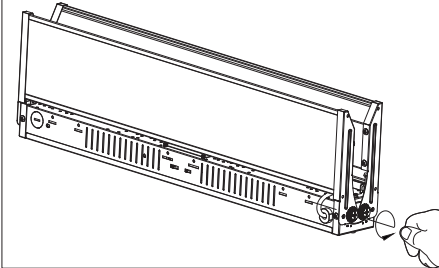


Tunable LED Linear High bay (LHB06)

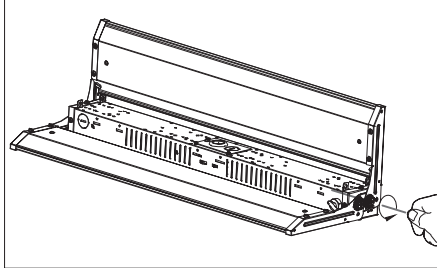
Wattages: 165/110/80W, 220/165/110W, 300/225/165W Tunable

Installation Instructions

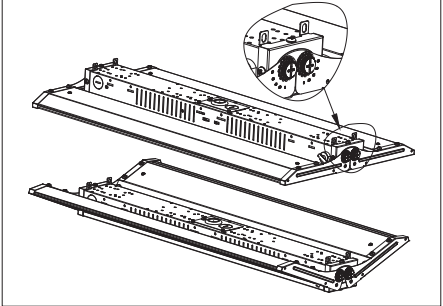
1. Loosen the screws at both ends counterclockwise with bare hands, as shown below.



2. Loosen the other two screws counterclockwise with your bare hands, as shown below.

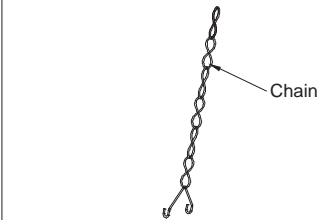


3. Adjust the desired Angle and tighten the screws, as shown below.

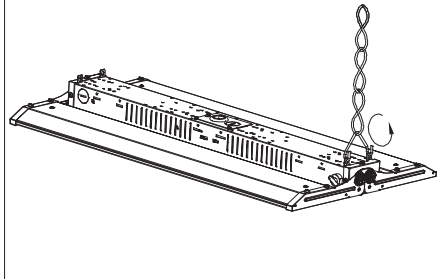


Chain Installation

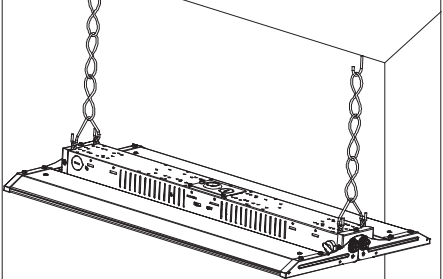
4. Hook the chain as below pic, as shown below.



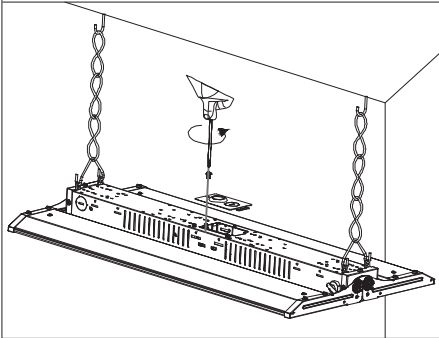
5. Insert the hook into the slotted holes, as shown below.



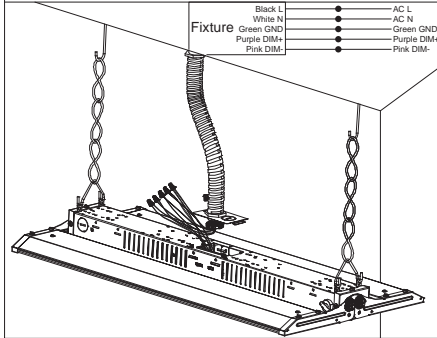
6. Hook up the chain on the ceiling anchor, as shown below.



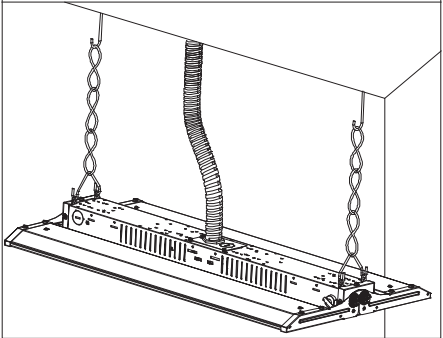
7. Use a power tool to loosen the screws and remove the cover, as shown below.



8. Turn off power, and make wiring connections with terminal cap (see wiring instruction below), as shown below.



9. Insert the terminal cap and wires into the driver box. Insert the wire terminal joint to the wire entry. Installation completed, as shown below.

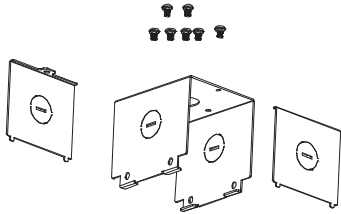


Tunable LED Linear High bay (LHB06)

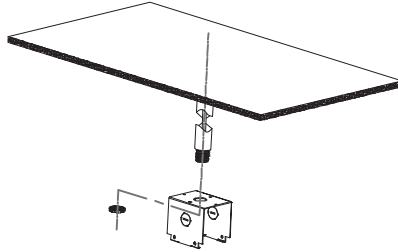
Wattages: 165/110/80W, 220/165/110W, 300/225/165W Tunable

Pendant Mount Installation

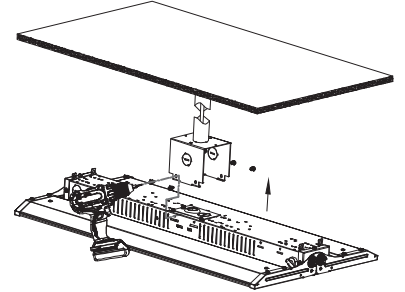
1. Check the installation accessories, as shown below.



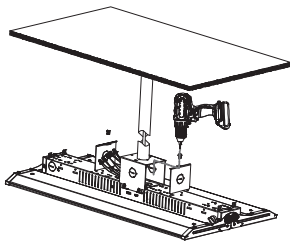
2. Install the fittings on the boom and tighten them with nuts, as shown below.



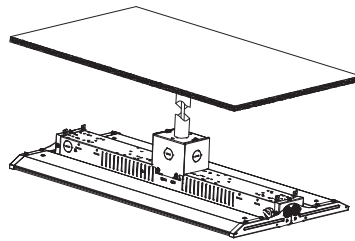
3. The Fixture is fastened into the mounting fitting and then secured with screws, as shown below.



4. Turn off power, and make wiring connections with terminal cap (see wiring instruction below).
The side covers of the mounting fittings are fixed to the mounting fittings and secured by screws, as shown below.



5. The installation is complete, as shown below.

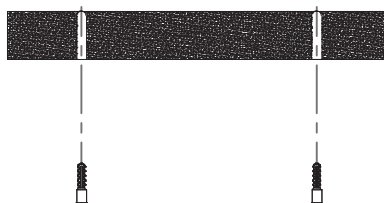


Surface Mount Installation

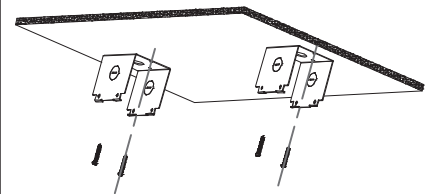
1. Drill the alignment holes on the top ceiling, make them match to the holes on mounting bracket, as shown below.



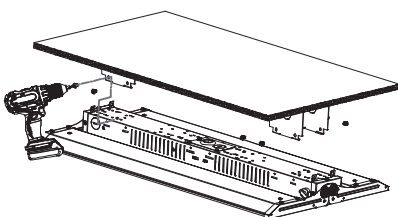
2. Screw the anchors to holes on ceiling respectively, as shown below.



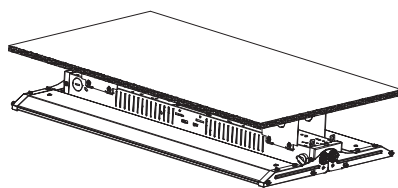
3. Screw the bracket to the ceiling, as shown below.



4. Attach the lamp to the hook fitting, as shown below.



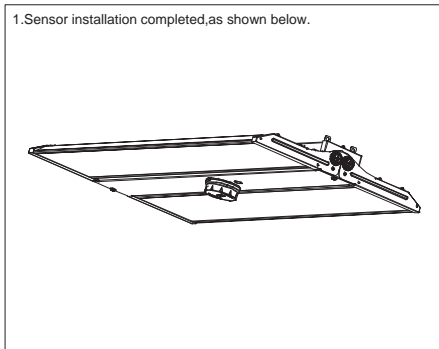
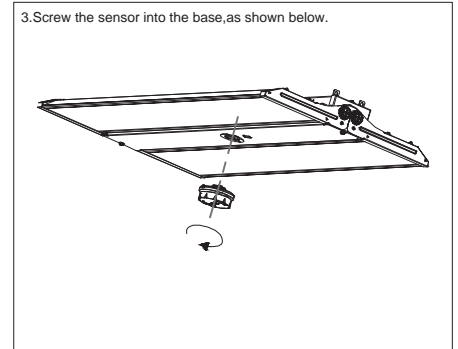
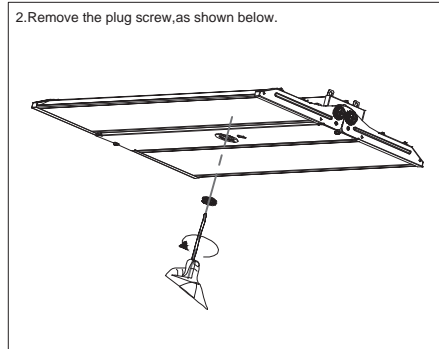
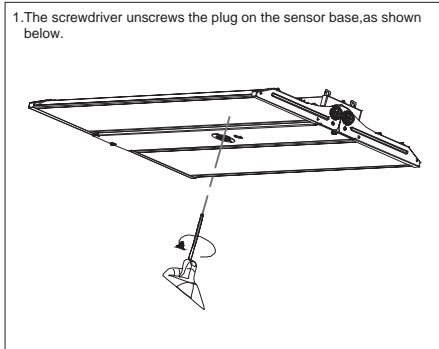
5. The installation is complete, as shown below.



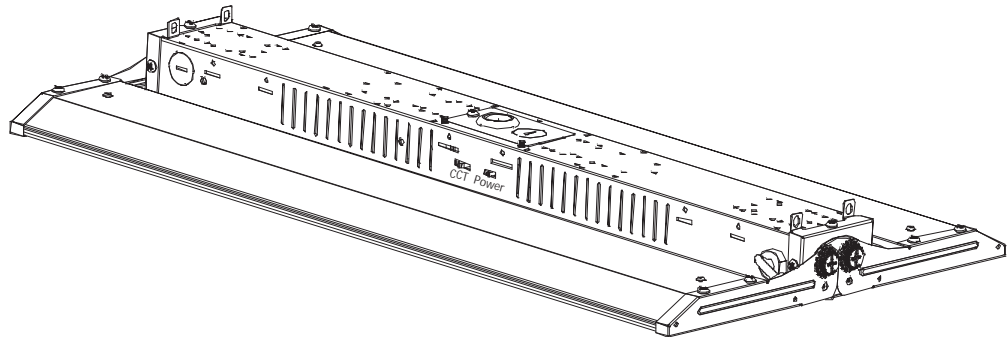
Tunable LED Linear High bay (LHB06)

Wattages: 165/110/80W, 220/165/110W, 300/225/165W Tunable

Sensor Installation



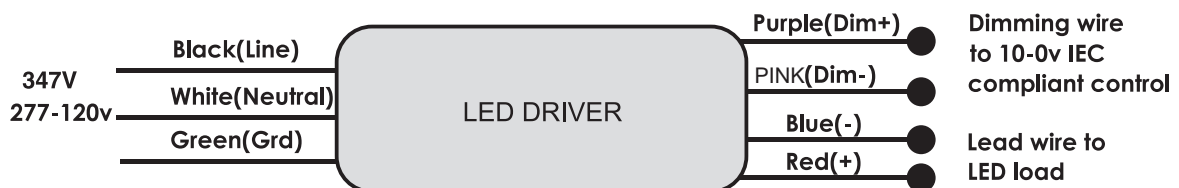
Flip the color temperature switch to the desired color temperature (note: if both toggle switches need to be dialed to the corresponding color temperature) : flip the power switch to the desired wattage, as shown in the figure.



Note:

- . The installation and maintenance must be completed by electricians or professionals.
- . Please cut off the power before installation and maintenance.
- . The thermally insulating material is not allowed to cover the fixture.
- . Please keep away from the corrosive substance, and keep the fixture dry and clean.
- . Working temperature: -40°F~113°F, storage temperature: -40°F~140°F.

General Wiring Diagram



The Installation must be carried out by a qualified electrician.

Tunable LED Linear High bay (LHB06)

Wattages: 165/110/80W, 220/165/110W, 300/225/165W Tunable

APPLICATIONS

