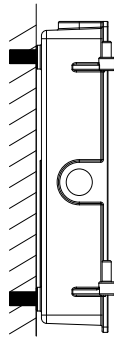
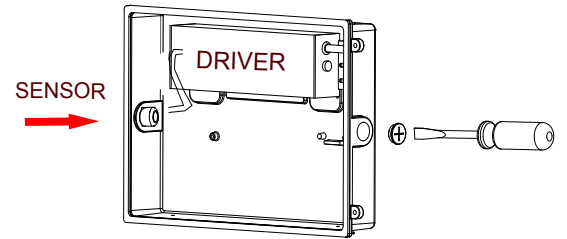


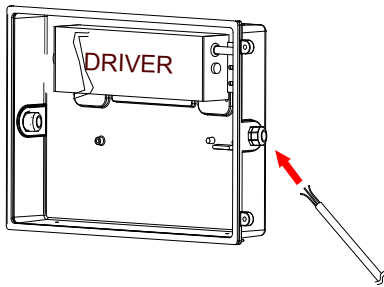
1. Take down wallpack base(pic 1)



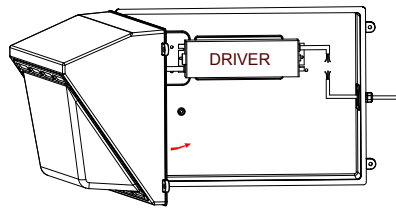
2. Fix base on the wall(pic 2)



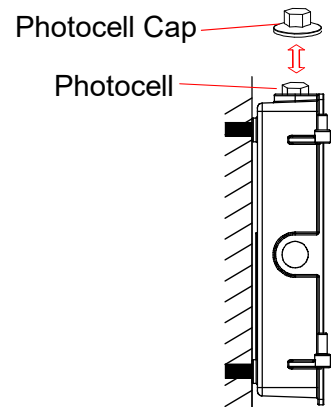
3. Take down screw(pic 3)



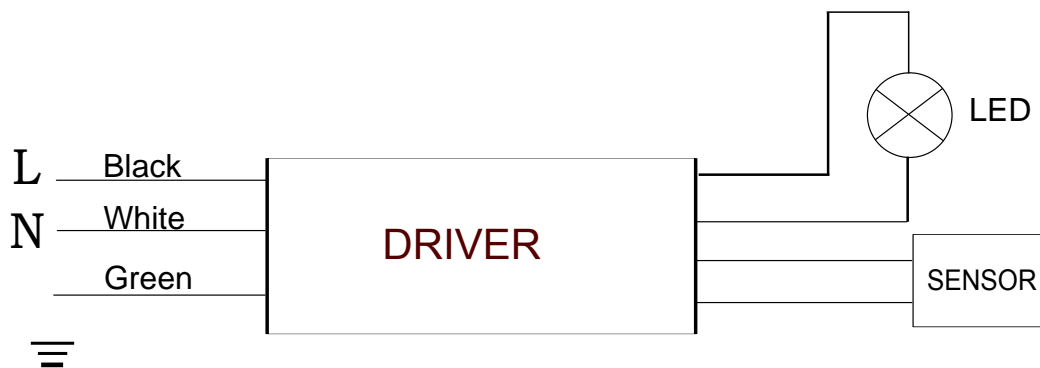
4. Install waterproof connector first, then pass through AC line(pic 4)



5. Put the cover on the base, joint the DC end waterproof connector with each other, and tighten the cover Cover, and screw to fix(pic 5)



If you need the photocell sensor function, please take of the photocell cap



POWER WIRING DIAGRAM