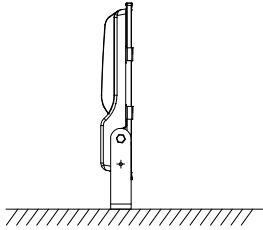
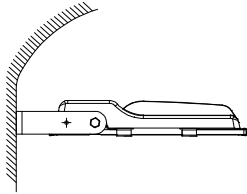


INSTALLATION INSTRUCTIONS

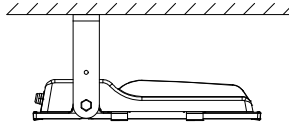
1 Choose the installation



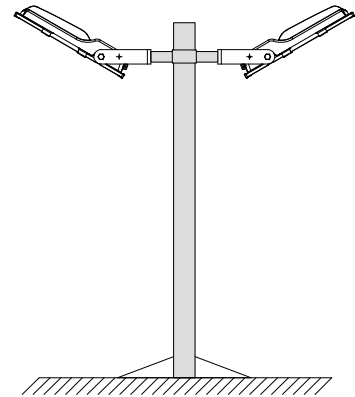
A. Ground installation



B. Wall installation



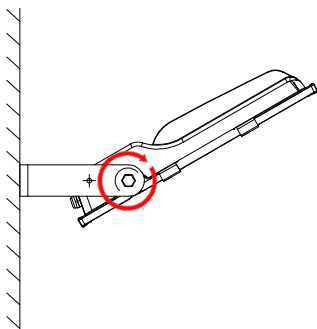
C. Ceiling installation



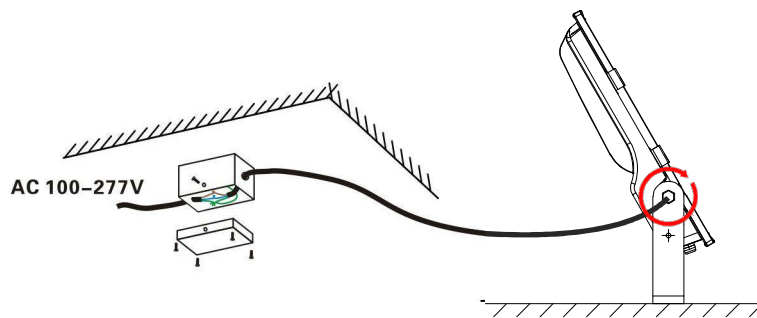
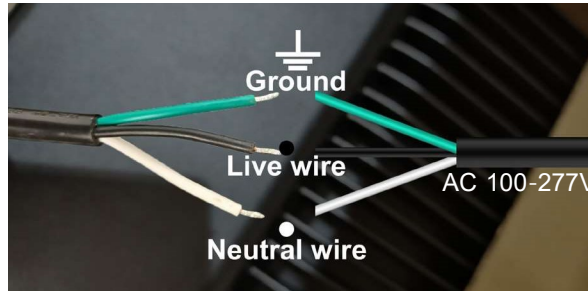
D. Pole-installation

2 1. Install the lamp into where you need.

2. Use some expansion nails to fix the bracket of the lamp.



3. Connect the power cord as following diagram then make waterproof protection.



4. Adjust light fixture to the angle as you want, and then fix it.

6. Finally, fix the junction box cover with screws.

5. When you use junction box and strain relief, please make sure to follow the installation requirements as below:
Material: Zinc-iron. Turn off power supply.
The diameter of the hole for power cord do not more than 10mm.
Put the power cord in the junction box, and make a knot in the cord as strain relief.
Connect the wire in the junction box by close-end connector as following diagram. Please note that the the green/yellow wire should be connected to the ground.