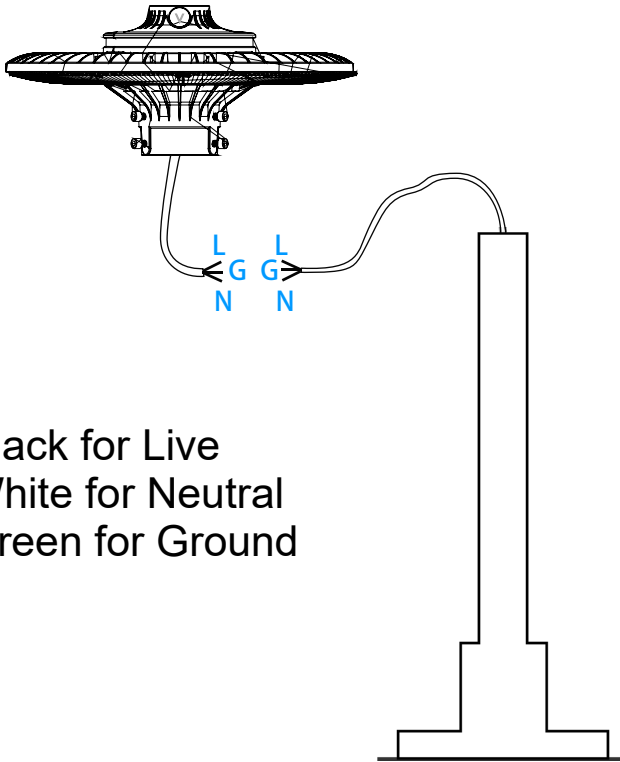
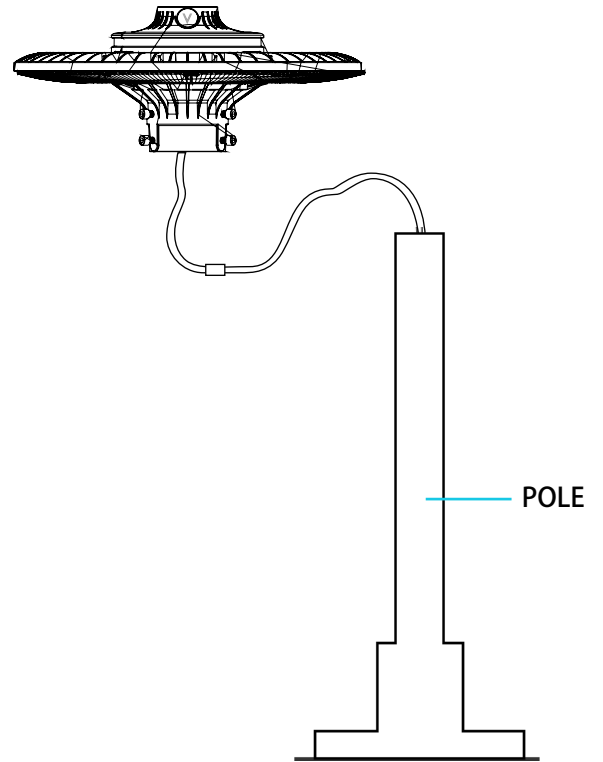


1: Connect AC wires correctly

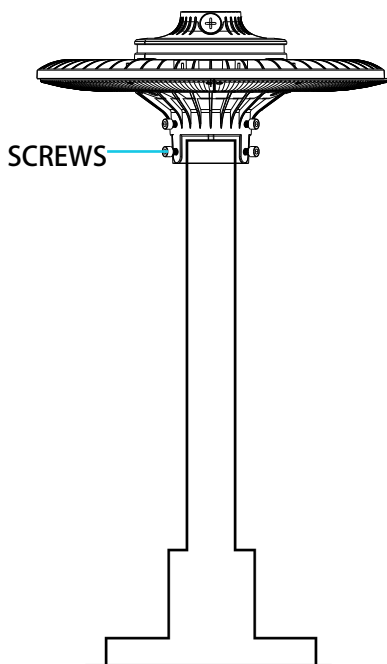


Black for Live  
White for Neutral  
Green for Ground

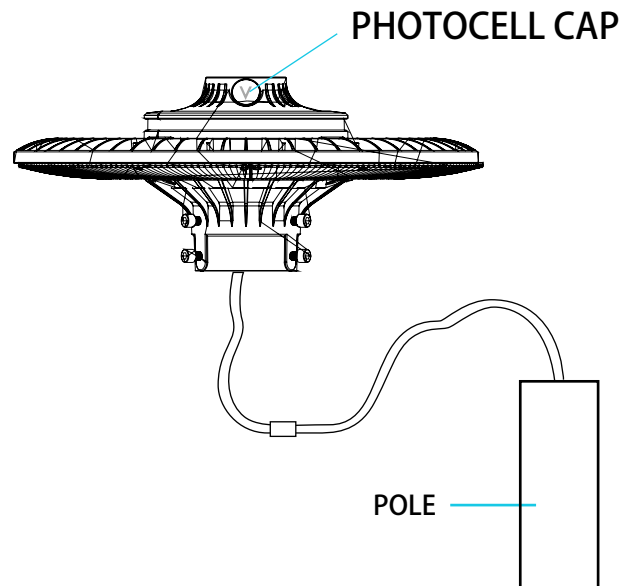
2: Insulate the wires properly



3: Fit the tenon bracket into the pole and tighten 6 screws



4: Take off the photocell cap if you need dusk to down photocell function.

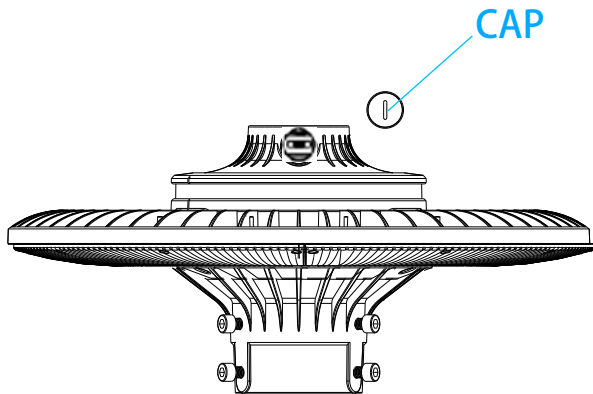


## How to adjust the color temperature of the light

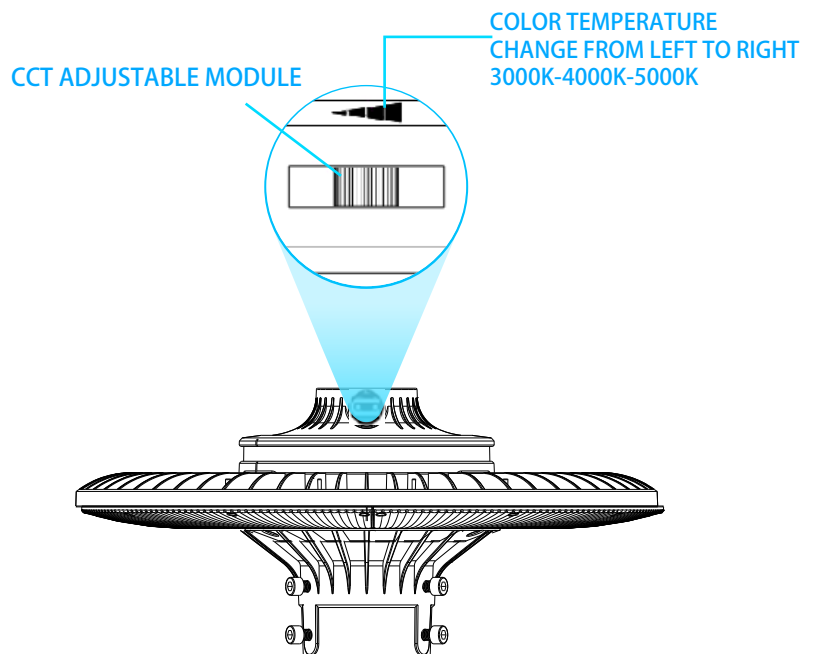
Warm Notice:

1: Please turn off the light before adjusting CCT.

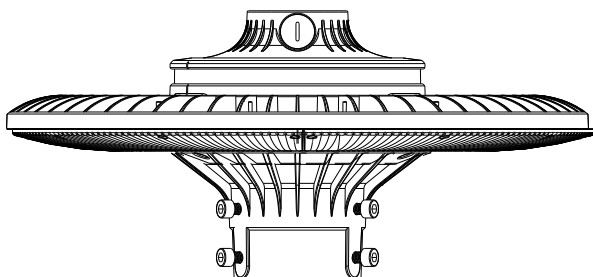
2: Only turn on the light after you finished the CCT selection.



1: Unscrew the cap of slotted screw



2: Select proper color temperature



3: Screw the cap after CCT selection

### WARRANTY:

We provide a 30-day money-back and a 5-year warranty service for our LED post top area lights.

Please kindly contact us with your Order ID to activate the warranty. Any problems or questions, please feel free to let us know. We will get back to you as soon as possible.