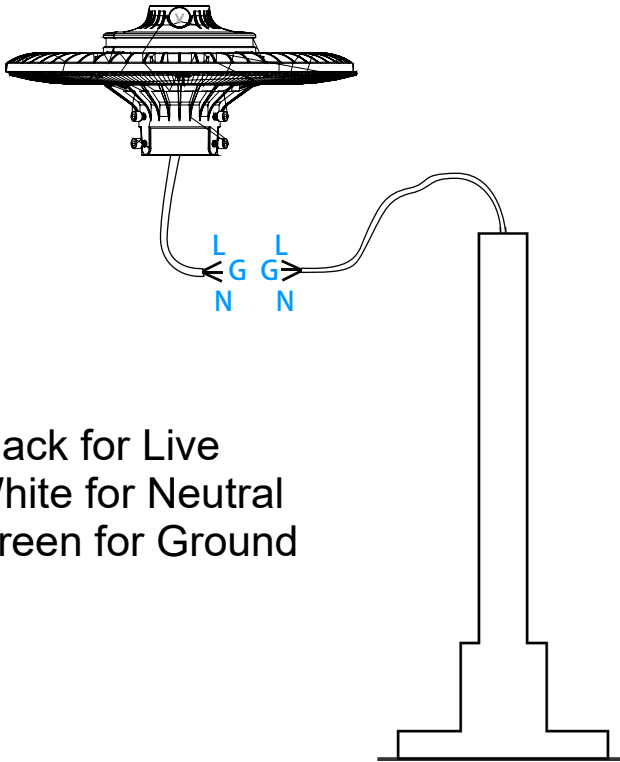
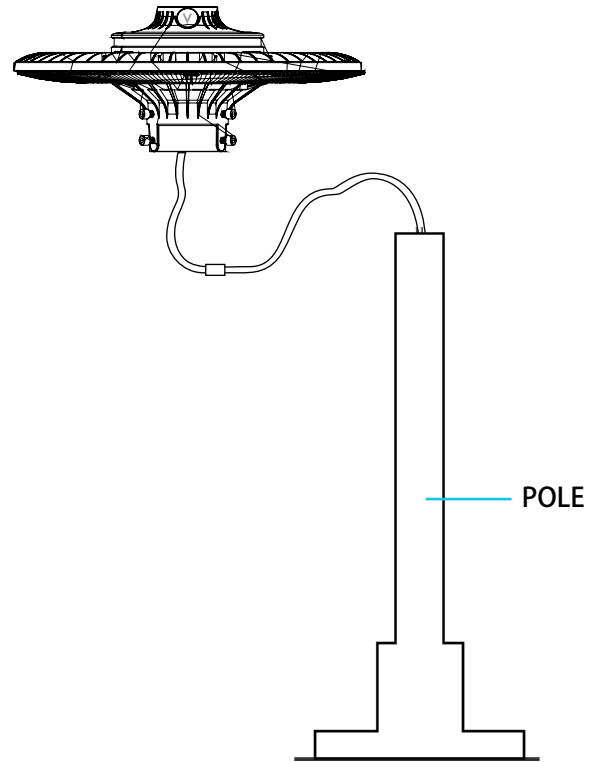


1: Connect AC wires correctly

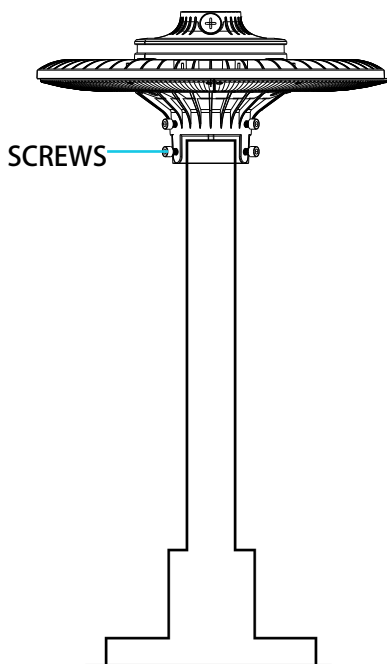


Black for Live  
White for Neutral  
Green for Ground

2: Insulate the wires properly



3: Fit the tenon bracket into the pole and tighten 6 screws



4: Take off the photocell cap if you need dusk to down photocell function.

