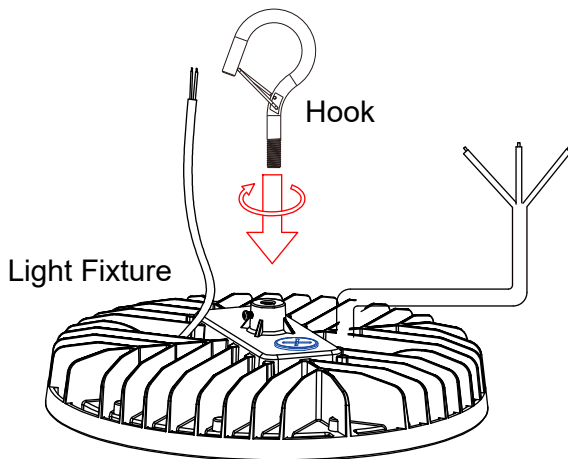
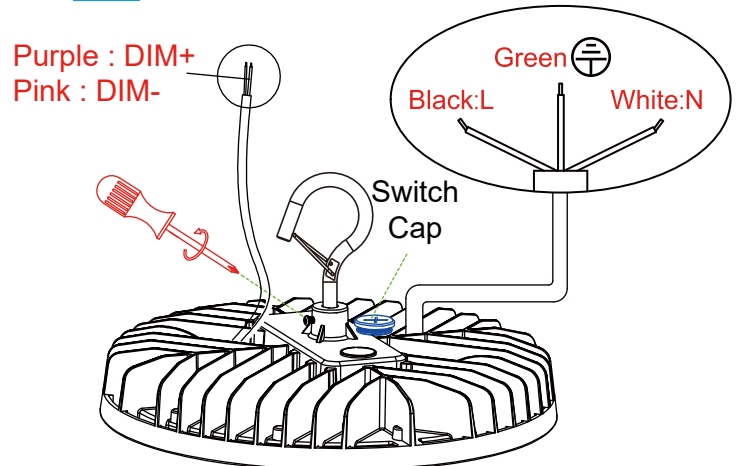


## INSTALLATION INSTRUCTIONS

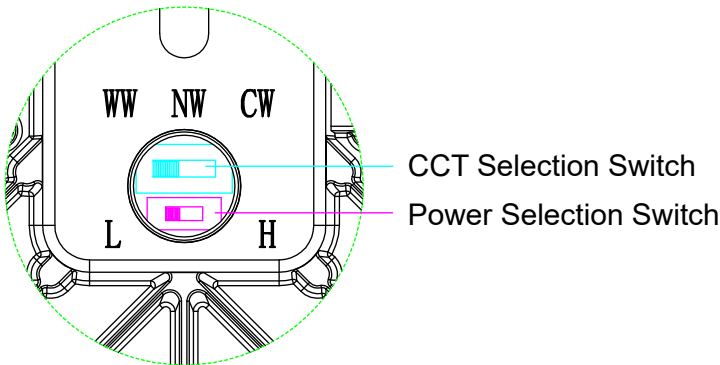
**1** Knob the hook into the fixture



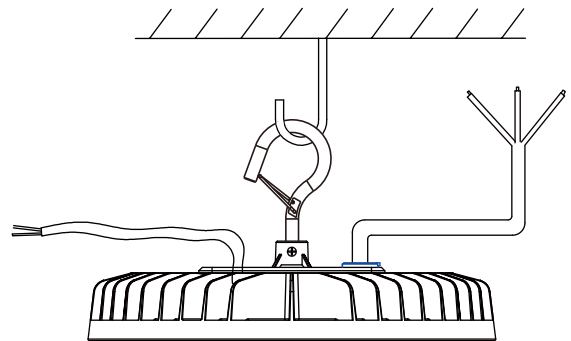
**2** Tighten the screw on the side to lock the hook



**3** Open switch cap and select the CCT and power you need



**4** Cover the Switch Cap, hang the light fixture and tighten the anti-drop screw



**5** Connect the light fixture to power and turn it on

### Warm Tips:

1. Please cut off the power supply before adjusting the color temperature or power of the light
2. The light fixture should be installed by Professional electricians to avoid damage and danger

**Please Note: Voltage to light must not exceed 277VAC combined.**

**"When connected to 277V voltage, make sure the voltage of L and N is within 277V"**

### CCT Selections :

There are 3 color temperatures available (WW / NW / CW)

Please select the color temperature you prefer before installation

WW	NW	CW
4500K	5000K	5700K

### Power Selections :

Move the power selection switch from right to left, light power decreases gradually

L		H
Low Power (Power -40%)	Power-20%	High Power