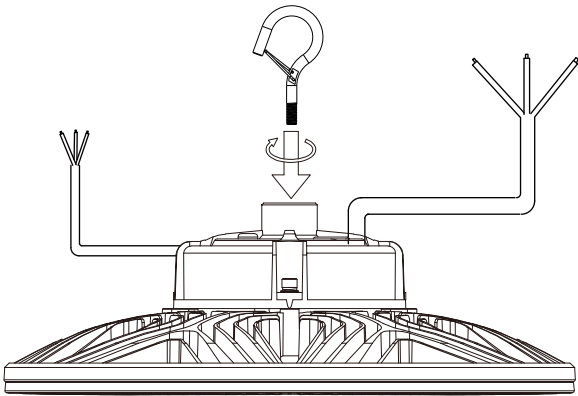


LED High Bay Light

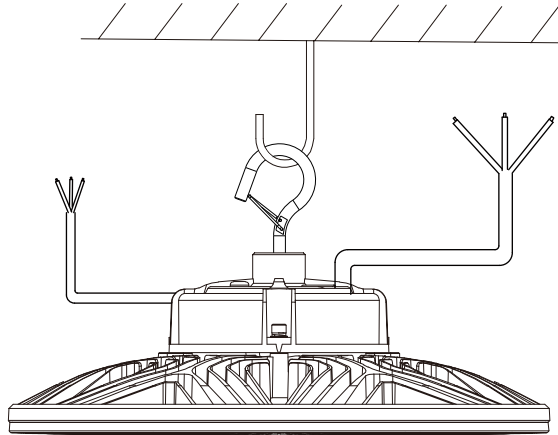
INSTALLATION INSTRUCTION

1. Open the box and take out the LED light and ring.

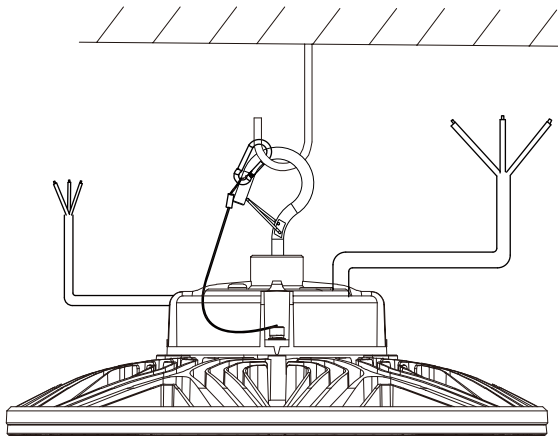
2. Install the ring into the light body as following diagram.



3. Hung the LED light with a sturdy hook.



4. Hang the safety wire one side to the lamp, another side to the sturdy hook shown by diagram.

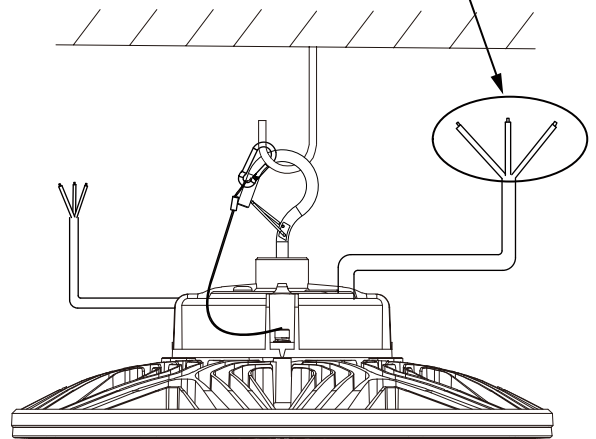
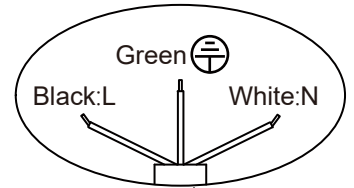


5. Connect wires as below diagram and turn on power to lighting.

Black wire : L

Green wire: \oplus

White wire : N



6. 0-10V DIM only valid for dimmable function(DIM+ DIM-), Pls ignore if no need dimmable or for Non-dimmable Model.

